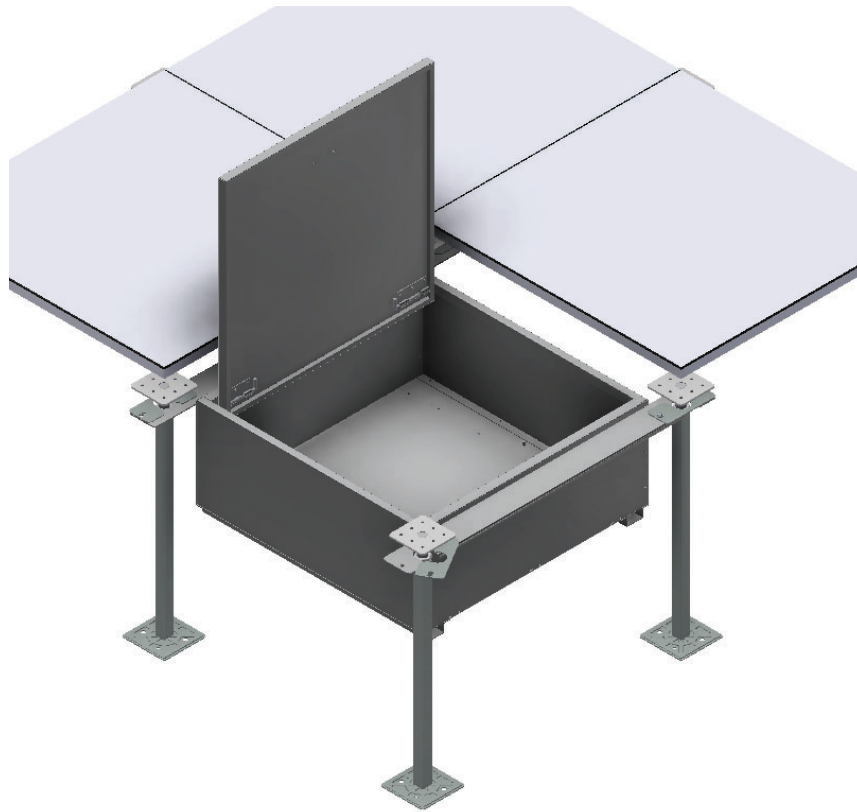


Zone Distribution Box Empty - Base Box



Part Number	Size
CM708-1100-05-03	21" L x 21" W x 8" D

Applications: Under-floor zone cabling consolidation enclosure. The in-floor enclosure saves valuable real estate by providing a secure solution under the floor which relieves congestion on racks and cabinets for installing network equipment.

Features:

- Lockable secure lid design
- Multiple knockout configurations available, edge protected cable access points
- Constructed from 16 GA galvanized steel with customer specified powder coat finish available
- Custom configurations are available



Snake Tray® products are covered by one or more of the following patents: #5839702, #5953870, #6019323, #6347493, #6361000, #6449912, #6460812, #6463704, #6637165, #6637704, #6926236, #7168212, #7959019, #8622679, #8783628, #8985530, #8985530 B2, #9074707, #10225947, #10225947 B2, #10666029, #10666029 B2, #10944355 B2, #11271519 B2, #20180313469 A1, #20180317336 A1, #20190229507, #2020030461, #20200403390, #20210126445 A1, #20210194419 A1, #20210336430 A1, #20220112969, #20220221174. Foreign Patents: Australia #737813, #748160, #749488, #776643, #776644, Canada #2251732, #2319624, #2303081, #2396792. Japan #3723224. Mexico #204995, #229386, #220889. Europe #1012938, #1012937. Other Patents Pending.

SNAKE TRAY®

CABLE MANAGEMENT, POWER DISTRIBUTION AND ENCLOSURES

291 SKIP LANE, BAY SHORE, NEW YORK 11706 USA | TEL: 800-308-6788 | 631-674-0004

Document No. MKTG-0155 | Revised March 2023 | © 2023 Snake Tray

Made in the USA