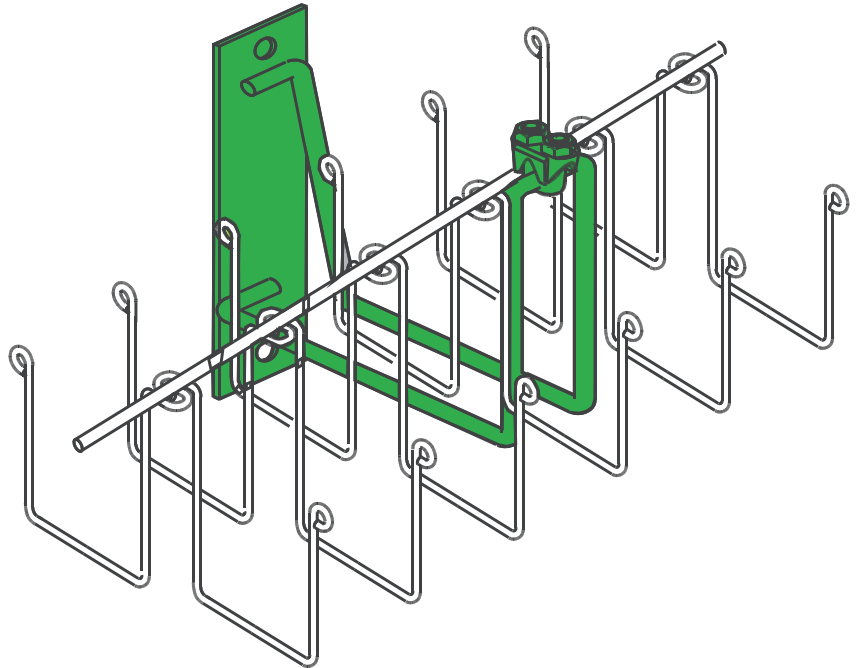
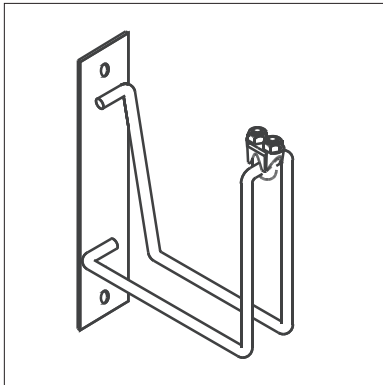


## Wall Mount Bracket for 201 Series Double



Part Number
WBN-201D
WBN-201-5D

Used to attach double pocket 201 series double tray to walls and other vertical surfaces. Clamp to attach to tray included.



Snake Tray® products are covered by one or more of the following patents: #5839702, #5953870, #6019323, #6347493, #6361000, #6449912, #6460812, #6463704, #6637165, #6637704, #6926236, #7168212, #7959019, #8622679, #8783628, #8985530, #8985530 B2, #9074707, #10225947, #10225947 B2, #10666029, #10666029 B2, #10944355 B2, #11271519 B2, #20180313469 A1, #20180317336 A1, #20190229507, #2020030461, #20200403390, #20210126445 A1, #20210194419 A1, #20210336430 A1, #20220112969, #20220221174. Foreign Patents: Australia #737813, #748160, #749488, #776643, #776644, Canada #2251732, #2319624, #2303081, #2396792. Japan #3723224. Mexico #204995, #229386, #220889. Europe #1012938, #1012937. Other Patents Pending.

**SNAKE TRAY®**

**CABLE MANAGEMENT, POWER DISTRIBUTION AND ENCLOSURES**

291 SKIP LANE, BAY SHORE, NEW YORK 11706 USA | TEL: 800-308-6788 | 631-674-0004

Document No. MKTG-0277 | Revised March 2023 | © 2023 Snake Tray

**Made in the USA**