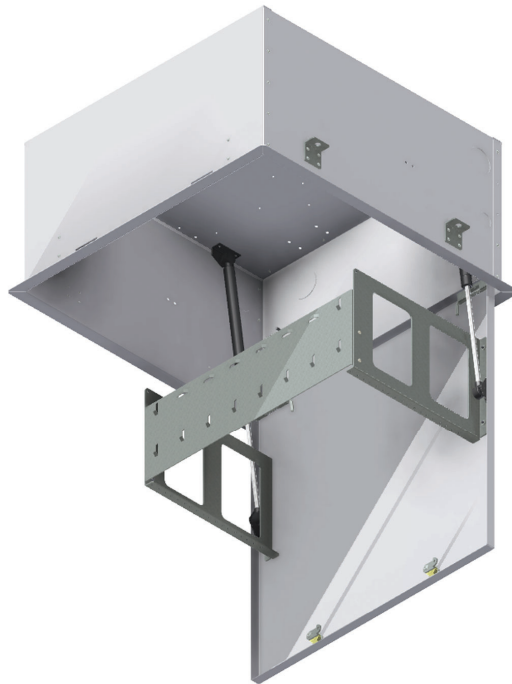


Basic 2 x 2 Box Empty



Applications: This fully assembled ceiling mount enclosure installs in 2' x 2', 2' x 4' and 2' x 6' drop ceilings. This particular model has 6 RU of standard 19" passive rack mountable space and is fitted with a horizontal cable slack manager. Lockable secure door has a capacity of over 50 pounds and can be customized to user specifications to accept other component structures. Cover opens safely with two built-in pneumatic cylinders.

Part Number	Size
CM 708-SK-0330	22" L x 22" W x 12" D

Features:

- Lockable secure lid design
- Removable door mounted assembly for 19" rack mounted panels and active equipment
- Total of 6 RU rack mountable space
- Multiple knockout configurations available
- Simplified design reduces network down time and labor costs associated with MAC work
- Constructed from 16 GA galvanized steel or aluminum with customer specified powder coat finish available
- Multiple sizes available
- Four point built-in support brackets for threaded rod or hangers
- Additional bracket configurations available
- Constructed from 16 GA galvanized steel with Nortek#P7RW124 White Peel powder coat finish, other colors are available upon request
- Four point built-in support brackets for threaded rod or hangers
- Two (2) IlSCO-TA-6-S ground lugs



Snake Tray® products are covered by one or more of the following patents: #5839702, #5953870, #6019323, #6347493, #6361000, #6449912, #6460812, #6463704, #6637165, #6637704, #6926236, #7168212, #7959019, #8622679, #8783628, #8985530, #8985530 B2, #9074707, #10225947, #10225947 B2, #10666029, #10666029 B2, #10944355 B2, #11271519 B2, #20180313469 A1, #20180317336 A1, #20190229507, #2020030461, #20200403390, #20210126445 A1, #20210194419 A1, #20210336430 A1, #20220112969, #20220221174. Foreign Patents: Australia #737813, #748160, #749488, #776643, #776644, Canada #2251732, #2319624, #2303081, #2396792. Japan #3723224. Mexico #204995, #229386, #220889. Europe #1012938, #1012937. Other Patents Pending.

SNAKE TRAY®

CABLE MANAGEMENT, POWER DISTRIBUTION AND ENCLOSURES

291 SKIP LANE, BAY SHORE, NEW YORK 11706 USA | TEL: 800-308-6788 | 631-674-0004

Document No. MKTG-0059 | Revised March 2023 | © 2023 Snake Tray

Made in the USA