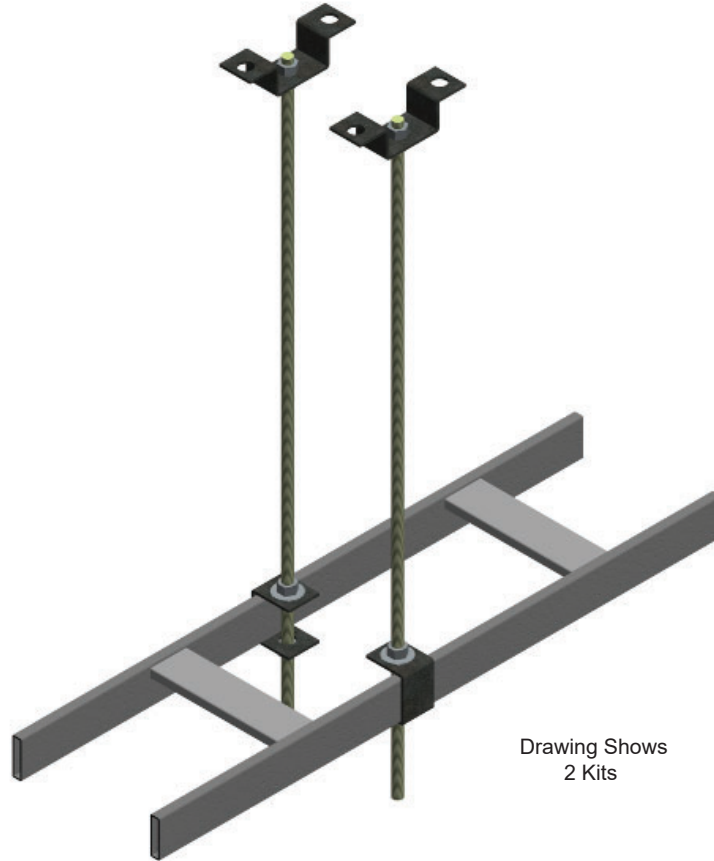


## Ceiling Mount Kit



Drawing Shows  
2 Kits

Part Number
CM 610-TR6-MK

Kit consist of:

- (1) 6 ft  $\frac{3}{8}$ " threaded rod
- (1) Ceiling mount bracket
- (1) CM 610-38-TRK
- (2)  $\frac{3}{8}$ "-hex nuts
- (2)  $\frac{3}{8}$ "- flat washers



**SNAKE TRAY®**

Snake Tray® products are covered by one or more of the following patents: #6637704, #6637165, #6463704, #6460812, #6449912, #6361000, #6347493, #6019323, #6347493, #6449912, #6460812, #5953870, #5839702, #6926236, #7168212, #7959019, #8783628, #8985530, #8622679, #9074707, #10944355, #10666029, #11205890 B2, #11271519. Foreign Patents: Australia #737813, #748160, #749488, #776643, #776644. Canada #2251732, #2319624, #2303081, #2396792. Japan #3723224. Mexico #204995, #229386, #220889. Europe #1012938, 1012937. Other Patents Pending.

**CABLE MANAGEMENT, POWER DISTRIBUTION AND ENCLOSURES**

291 SKIP LANE, BAY SHORE, NEW YORK 11706 USA | TEL: 800-308-6788 | 631-674-0004

Document No. MKTG-0210 | Revised August 2022 | © 2022 Snake Tray

**Made in the USA**