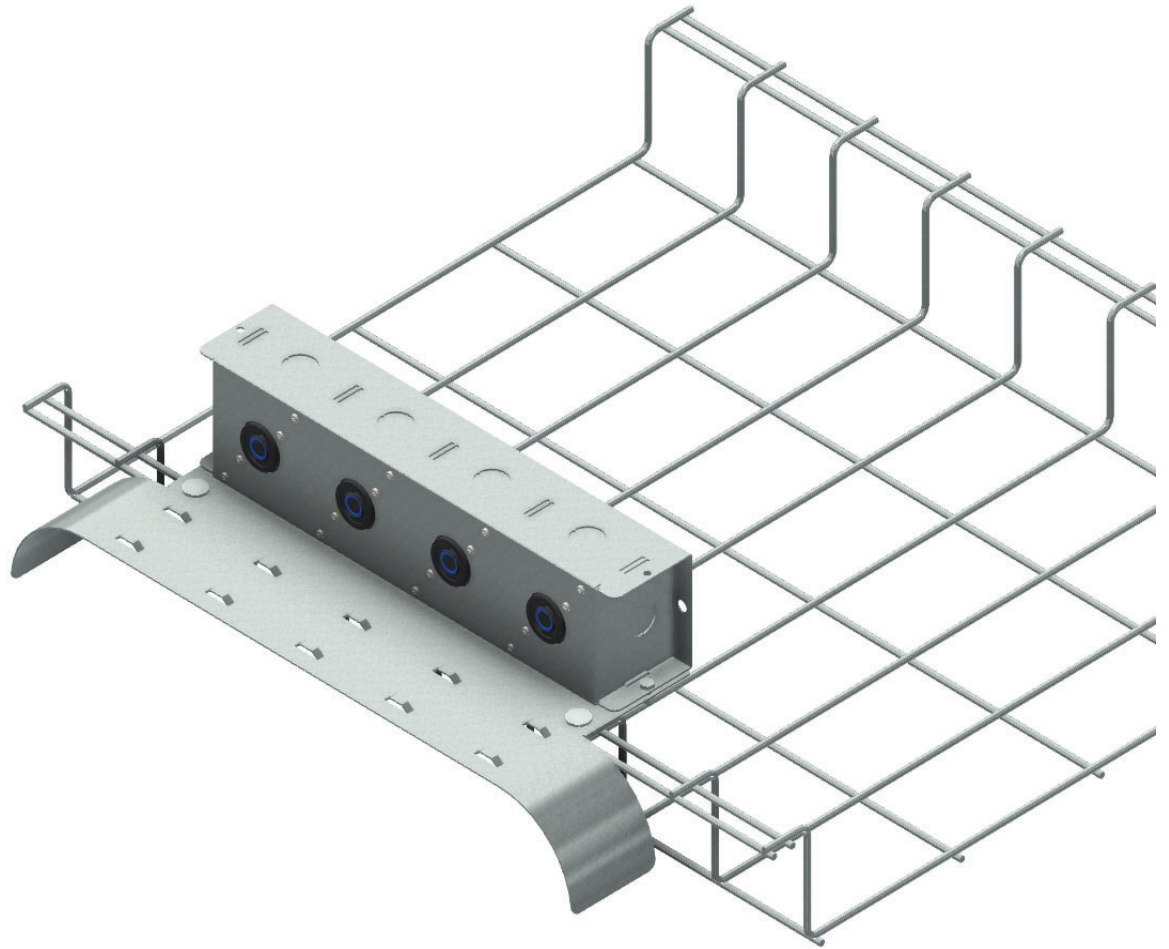


Power Distribution Module



Part Number	Description
CM 801-PM-XX	Customer Specified Power Distribution Module

The Power Distribution Module is the cornerstone of the Power Mega Snake power distribution system. It is available empty or loaded with customer specified NEMA receptacles. It is also available pre-wired with MC cables to be carried by the Mega Snake and terminated at the electrical panel.

XX DENOTES CUSTOMER SPECIFIED POWER REQUIREMENTS.

Call the Snake Tray engineering team to assist you with the power distribution configuration and part numbers.



SNAKE TRAY®

Snake Tray® products are covered by one or more of the following patents: #6637704, #6637165, #6463704, #6460812, #6449912, #6361000, #6347493, #6019323, #6347493, #6449912, #6460812, #5953870, #5839702, #6926236, #7168212, #7959019, #8783628, #8985530, #8622679, #9074707, #10944355, #10666029, #11205890 B2, #11271519. Foreign Patents: Australia #737813, #748160, #749488, #776643, #776644. Canada #2251732, #2319624, #2303081, #2396792. Japan #3723224. Mexico #204995, #229386, #220889. Europe #1012938, 1012937. Other Patents Pending.

CABLE MANAGEMENT, POWER DISTRIBUTION AND ENCLOSURES

291 SKIP LANE, BAY SHORE, NEW YORK 11706 USA | TEL: 800-308-6788 | 631-674-0004

Document No. MKTG-0128 | Revised August 2022 | © 2022 Snake Tray

Made in the USA