



SnakeX Enclosure Systems



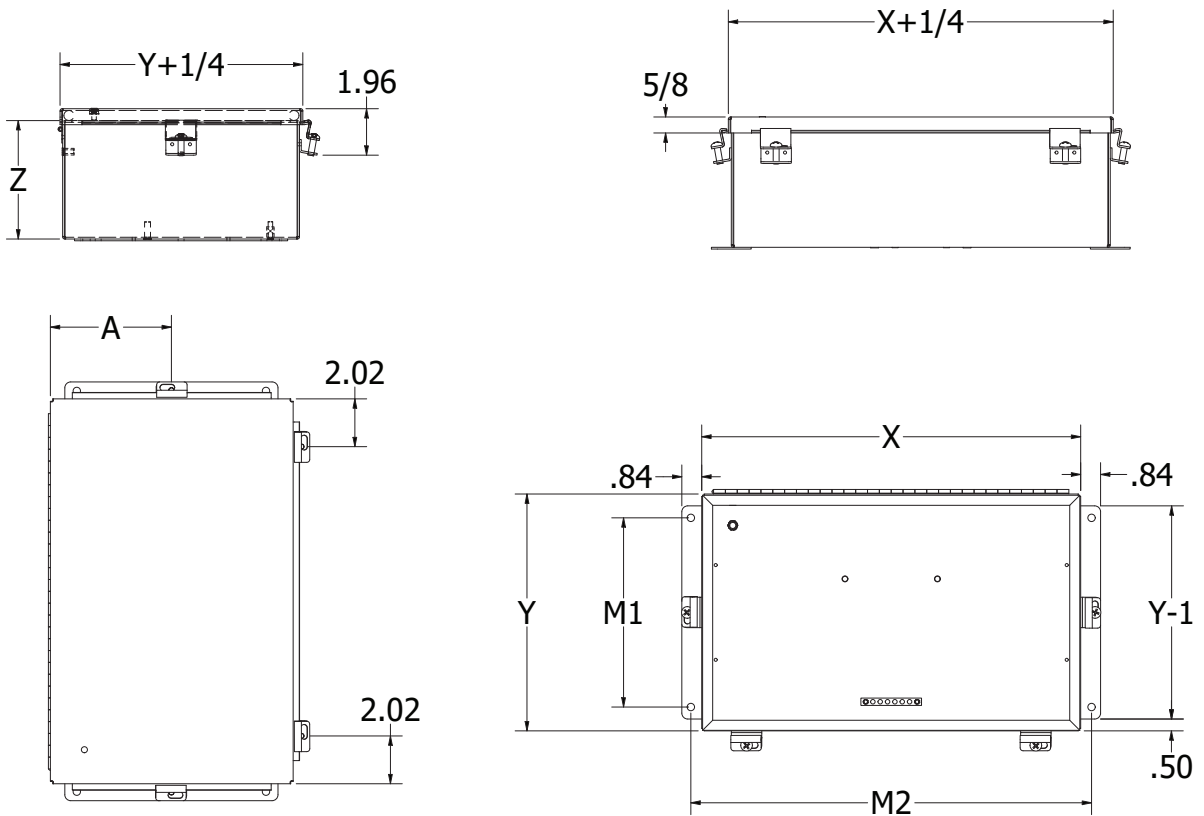
PART NUMBER	GAUGE	INSIDE DIMENSIONS X, Y, Z	MOUNTING M1, M2	CLAMPS A
CM 708-440-11523	14GA	10 x 8 x 4	6.00, 11.00	4.00
CM 708-440-11553	14GA	10 x 12 x 4	10.00, 11.00	6.00
CM 708-440-11554	14GA	12 x 14 x 5	12.00, 13.00	7.00
CM 708-440-11601	14GA	16 x 8 x 4	6.00, 17.00	4.00
CM 708-440-11620	14GA	16 x 14 x 4	12.00, 17.00	7.00
CM 708-440-11621	14GA	20 x 14 x 8	12.00, 21.00	7.00
CM 708-440-11622	14GA	20 x 10 x 4	8.00, 21.00	5.00
CM 708-440-11633	14GA	12 x 10 x 5	8.00, 13.00	5.00
CM 708-440-11638	14GA	14 x 10 x 5	8.00, 15.00	5.00
CM 708-440-11639	14GA	16 x 10 x 6	8.00, 17.00	5.00
CM 708-440-11684	14GA	14 x 10 x 4	8.00, 15.00	5.00
CM 708-440-11685	14GA	16 x 10 x 5	8.00, 17.00	5.00
CM 708-440-11709	14GA	8 x 8 x 6	6.00, 9.00	4.00
CM 708-440-11710	14GA	6 x 4 x 3	2.00, 7.00	2.00
CM 708-440-11711	14GA	8 x 6 x 4	4.00, 9.00	3.00
CM 708-440-11712	14GA	6 x 6 x 4	4.00, 7.00	3.00
CM 708-440-11713	14GA	8 x 8 x 4	6.00, 9.00	4.00
CM 708-440-11714	14GA	10 x 8 x 6	6.00, 11.00	4.00
CM 708-440-11715	14GA	10 x 10 x 6	8.00, 11.00	5.00
CM 708-440-11716	14GA	12 x 10 x 6	8.00, 13.00	5.00
CM 708-440-11717	14GA	12 x 12 x 6	10.00, 13.00	6.00
CM 708-440-11718	14GA	14 x 8 x 6	6.00, 15.00	4.00
CM 708-440-11719	14GA	14 x 12 x 6	10.00, 15.00	6.00
CM 708-440-11720	14GA	16 x 14 x 6	12.00, 17.00	7.00
CM 708-440-11721	14GA	12 x 10 x 8	8.00, 13.00	5.00
CM 708-440-11722	14GA	12 x 12 x 6	10.00, 13.00	6.00
CM 708-440-11723	14GA	14 x 8 x 6	6.00, 15.00	4.00
CM 708-440-11724	14GA	14 x 12 x 6	10.00, 15.00	6.00
CM 708-440-11725	14GA	16 x 14 x 10	12.00, 17.00	7.00
CM 708-440-11726	14GA	20 x 20 x 10	18.00, 21.00	10.00

SnakeX Enclosure Systems provide superior protection in harsh indoor and outdoor environments for electrical and electronic equipment. Meeting NEMA 4X specifications ensures protection against corrosion, hose-directed water, splashing, rain and ice.

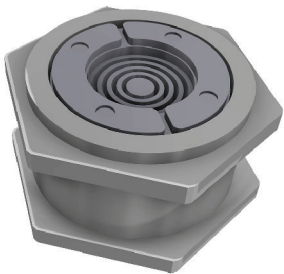
FEATURES

- Enclosures can be wall or floor mounted
- Hinge or lift off cover
- Continuous hinge (removable hinge pin)
- Wallmounting flange / foot
- Watertight gasket
- Stainless steel clamps and screws
- Four #10-32 weld nuts for optional mounting pan
- Grounding studs on inside of box and cover
- Captive clamp screws
- Stainless steel mounting panels
- Terminal blocks or other component assembly
- Quick release latches
- Custom sizes
- Stainless steel breather / drain
- NEMA Type 3, 3R, 4, 4X, 12, and 13
- UL50
- cULus Listed
- 14 gauge / Type 304 or 316 stainless steel
- Stainless steel hardware

Made in the USA



Optional Connectors Available



Type	C R S T 25	C R S T 31	C R S T 43	C R S T 50
Dimensions	mm	mm	mm	mm
Cable Diameter	0+3.6-12	0+4-17	0+4-23	0+8-30
Thread	M32 x 1.5	M40 x 1.5	M50 x 1.5	M63 x 1.5
REC Holecut	33	41	52	64
A	32	40	50	63
B	1-10	1-8	1-28	1-26
C	4	5	5	6
D	16	15	35	34
E	25	25	48	48
F	36	46	60	70
G	39	50	65	78
H	25	31	43	50



SNAKE TRAY®

Snake Tray® products are covered by one or more of the following patents: #6637704, #6637165, #6463704, #6460812, #6449912, #6361000, #6347493, #6019323, #6347493, #6449912, #6460812, #5953870, #5839702, #6926236, #7168212, #7959019. Foreign Patents: Australia #737813, #748160, #749488, #776643, #776644. Canada #2251732, #2319624, #2303081, #2396792. Japan #3723224. Mexico #204995, #229386, #220889. Europe #1012938, 1012937. Other Patents Pending.

CABLE MANAGEMENT, POWER DISTRIBUTION AND ENCLOSURES

291 SKIP LANE, BAY SHORE, NEW YORK 11706 USA | TEL: 800-308-6788 | 631-674-0004

Document No. MKTG-0202 | Revised August 2020 | © 2020 Snake Tray

Made in the USA