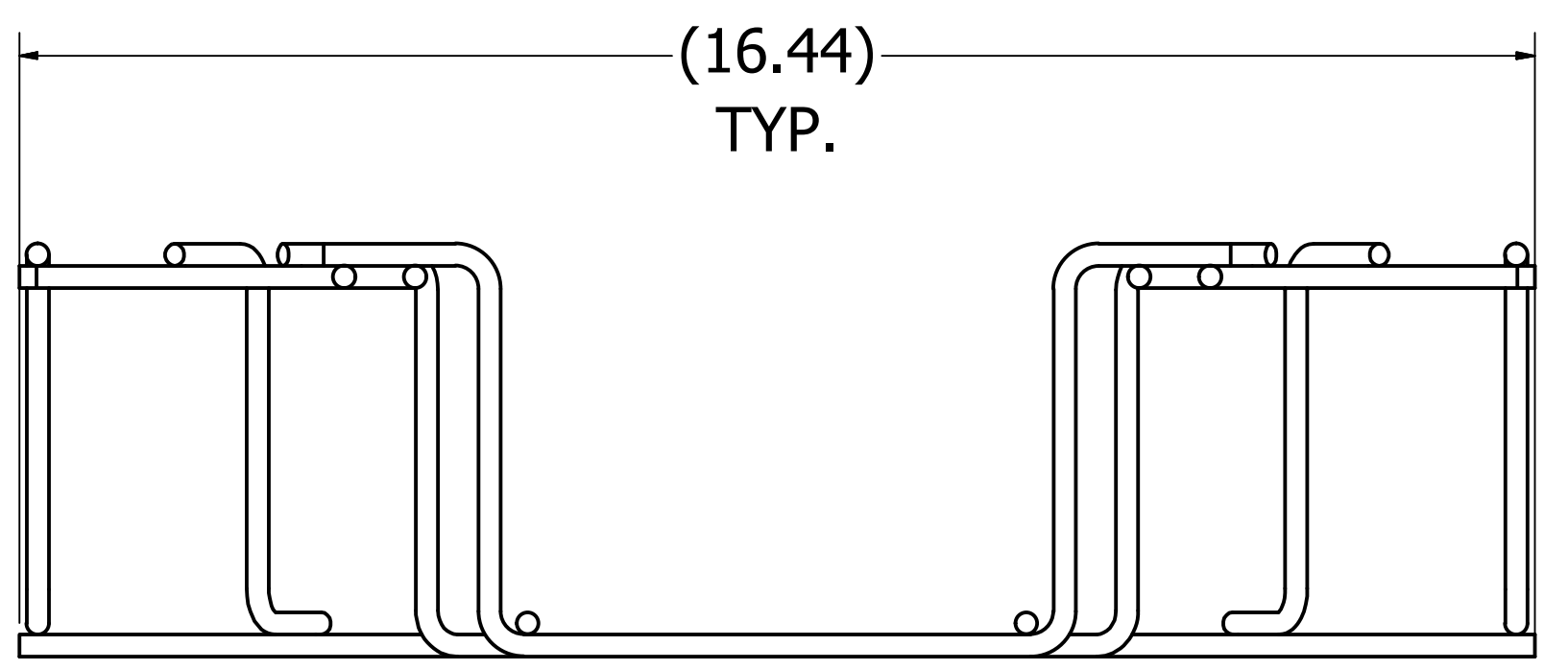
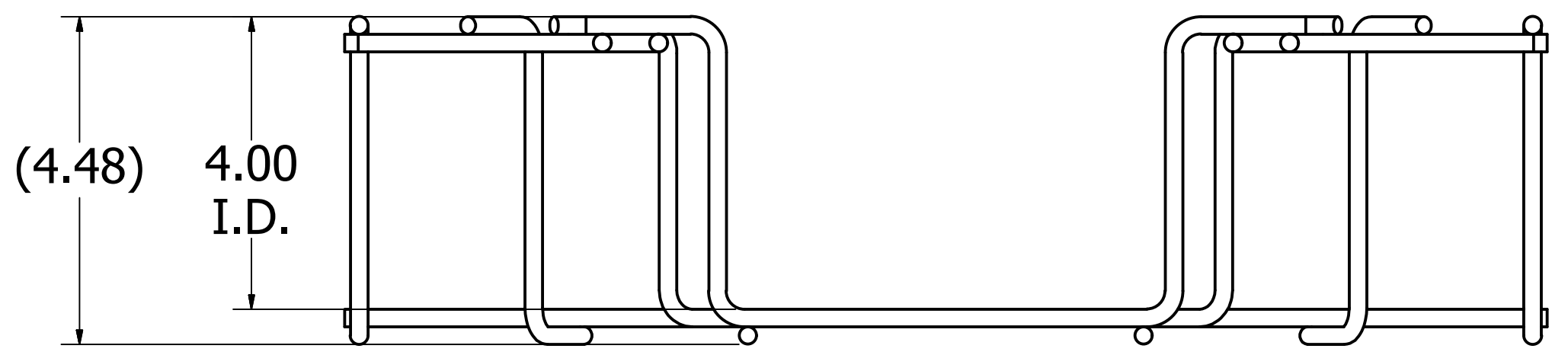
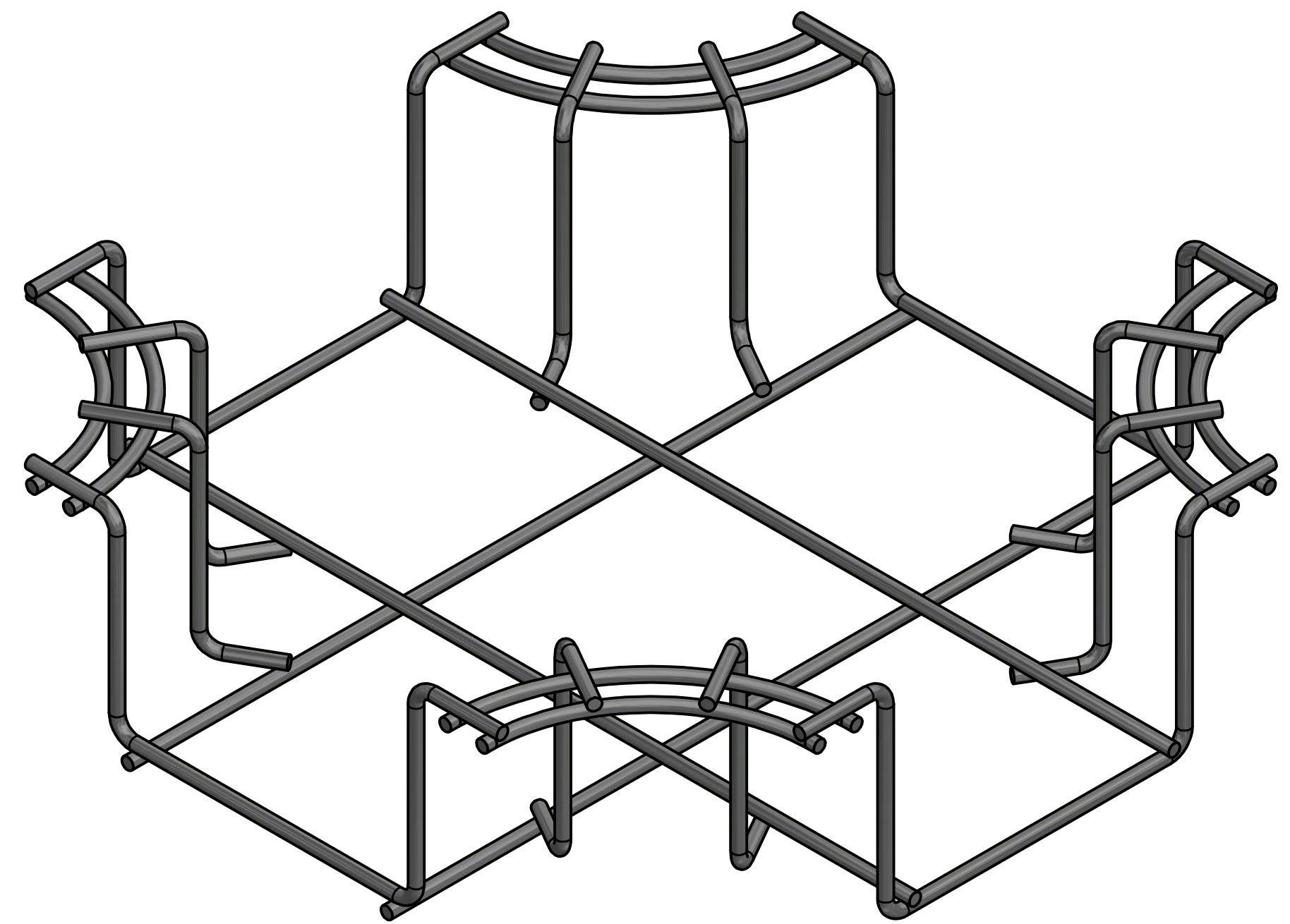
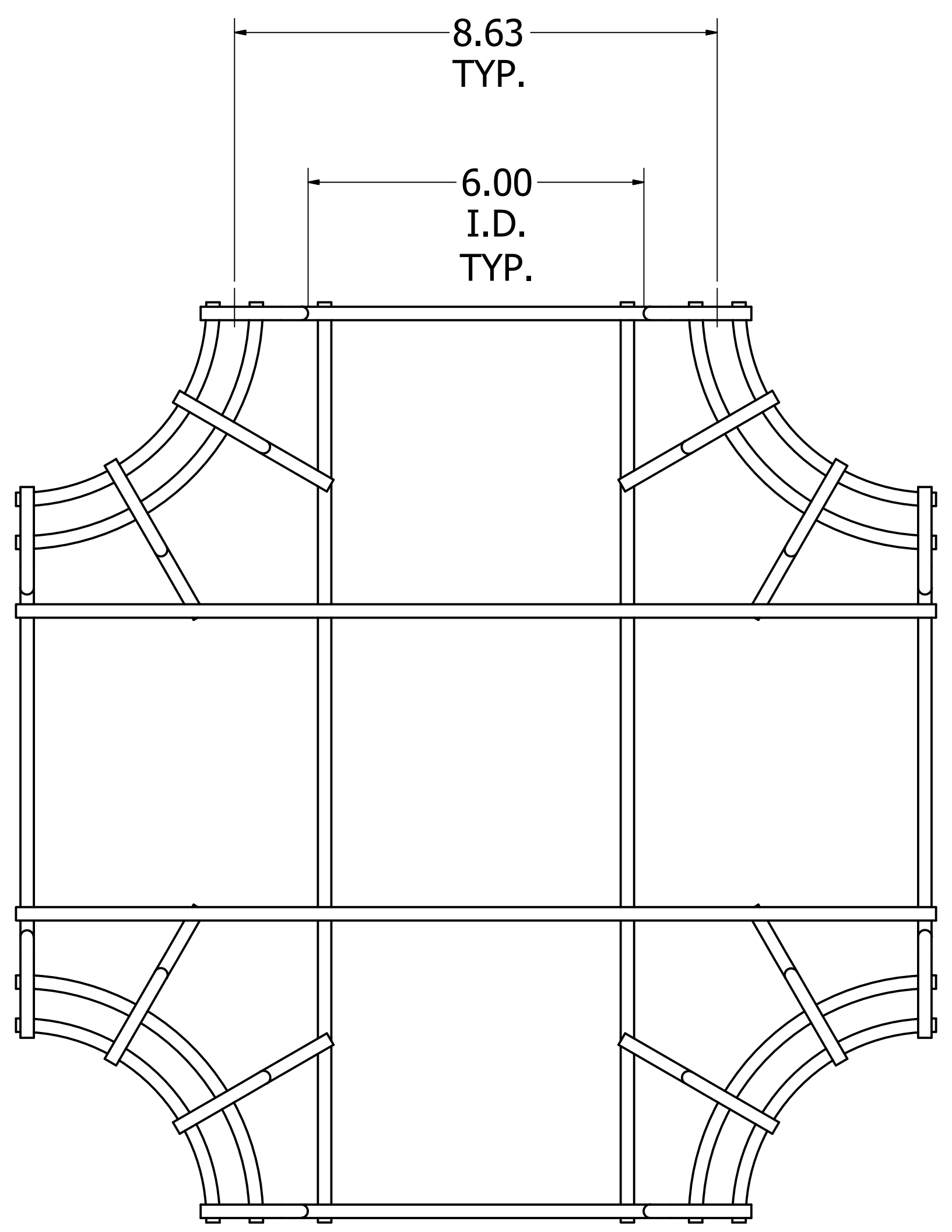


|            |     |                 |                       |         |      |      |
|------------|-----|-----------------|-----------------------|---------|------|------|
| 801 SERIES |     |                 | DWG NO: CM 801-4-6-CG |         |      |      |
| REVISION   |     |                 |                       |         |      |      |
| ZONE       | REV | DESCRIPTION     | ECN                   | DATE    | APPR | ENGR |
|            | A   | INITIAL RELEASE | 11-0000               | 9/26/11 | RJ   | WW   |



|  |   |  |                                     |                                   |  |   |
|--|---|--|-------------------------------------|-----------------------------------|--|---|
| <p><b>CONFIDENTIAL</b></p> <p>THIS DRAWING IS THE SOLE PROPERTY OF, AND IS PROPRIETARY TO, CABLE MANAGEMENT SOLUTIONS, INC. THIS DRAWING AND/OR INFORMATION SHALL BE KEPT CONFIDENTIAL, AND MAY NOT BE REPRODUCED, MODIFIED, DISCLOSED, OR MADE AVAILABLE TO OTHERS, WITHOUT THE EXPRESS WRITTEN CONSENT OF SNAKETRAY.</p> | <p>MATERIAL</p> <p><b>.240 DIA. WIRE</b></p>      | <p>ALL TOLERANCES IF NOT INDICATED ARE:</p> <p>FRACTIONS= ± 1/32TH</p> <p>.XX= ± .015</p> <p>.XXX= ± .005</p> <p>ANGULAR= ± 1/2 DEGREE</p> |                                     |                                   | <p><b>CABLE MANAGEMENT SOLUTIONS, INC.</b><br/>291 SKIP LANE<br/>BAY SHORE, NY 11706</p> |   |
|  | <p>FINISH</p> <p><b>HOT DIPPED GALVANIZED</b></p> | <p>DRAWN BY</p> <p><b>W. WEST</b></p>  | <p>DATE</p> <p><b>9/26/2011</b></p> |                                   |  | <p>TITLE:</p> <p><b>MEGASNAKE, 4" X 6", CROSSING GRID</b></p> |
| <p>PATENTS</p> <p>SNAKETRAY, SNAKE CANYON, WALL SNAKE AND LADDER SNAKE PRODUCTS ARE COVERED BY ONE OR MORE OF THE FOLLOWING PATENTS: #6,637,704, #6,637,165, #6,463,704, #6,460,812, #6,449,912, #6,361,000, #6,347,493, #6,019,323, #5,953,870, #5,839,702 AND AUS #737,813.</p>  | <p>TREATMENT</p> <p><b>NONE</b></p>               | <p>CHECKED BY</p> <p>DATE</p>  | <p>ENGINEERING</p> <p>DATE</p>      | <p>SIZE</p> <p><b>D</b></p>       | <p>USED ON</p> <p><b>801 SERIES</b></p>  | <p>DWG NO</p> <p><b>CM 801-4-6-CG</b></p>                     |
|  |   | <p>SCALE</p> <p><b>NONE</b></p>  | <p>RELEASE DATE</p>                 | <p>SHEET</p> <p><b>1 OF 1</b></p> | <p>REV. NO</p> <p><b>A</b></p>   |   |