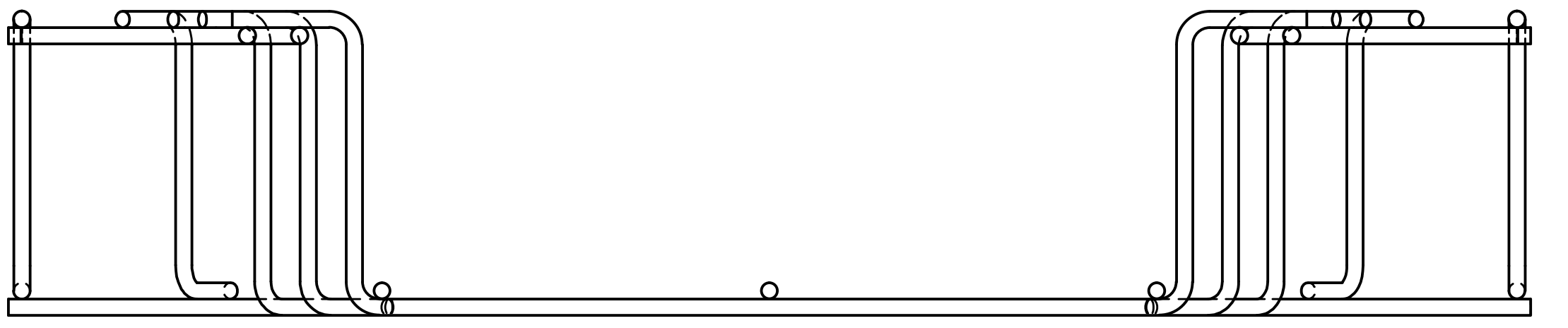
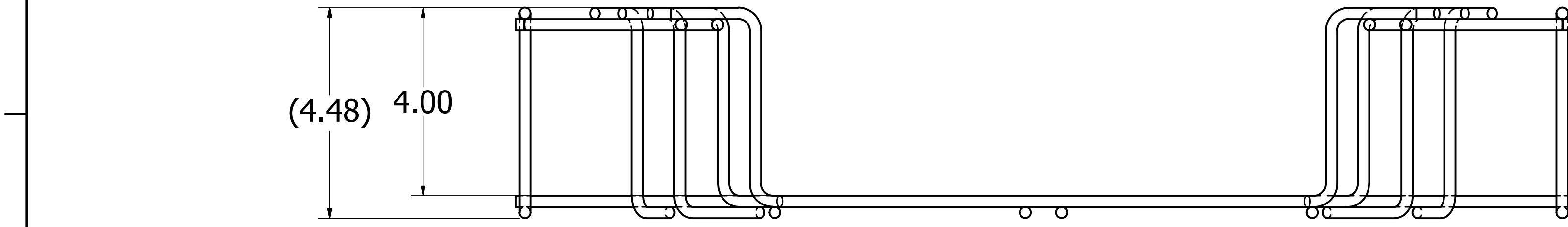
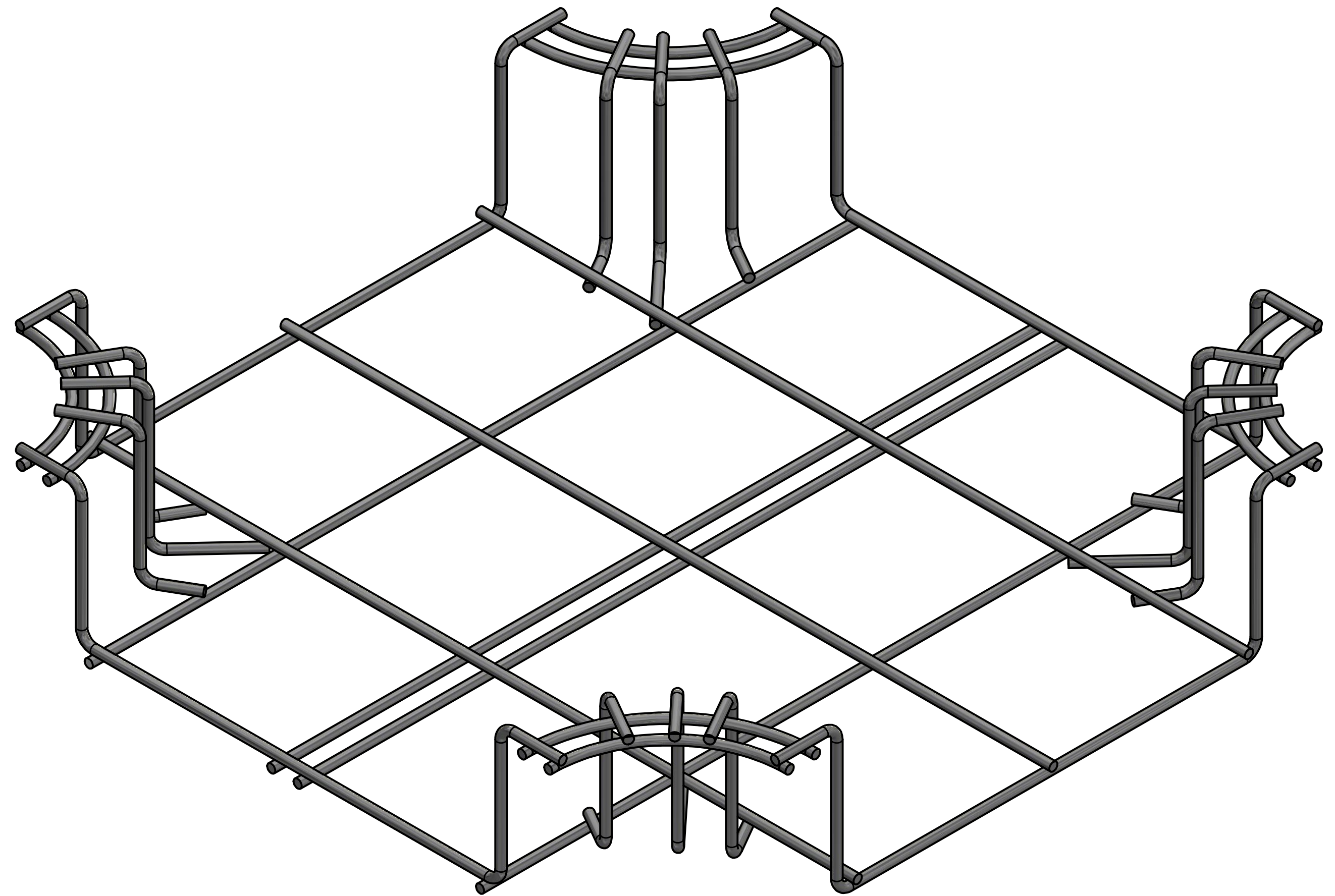
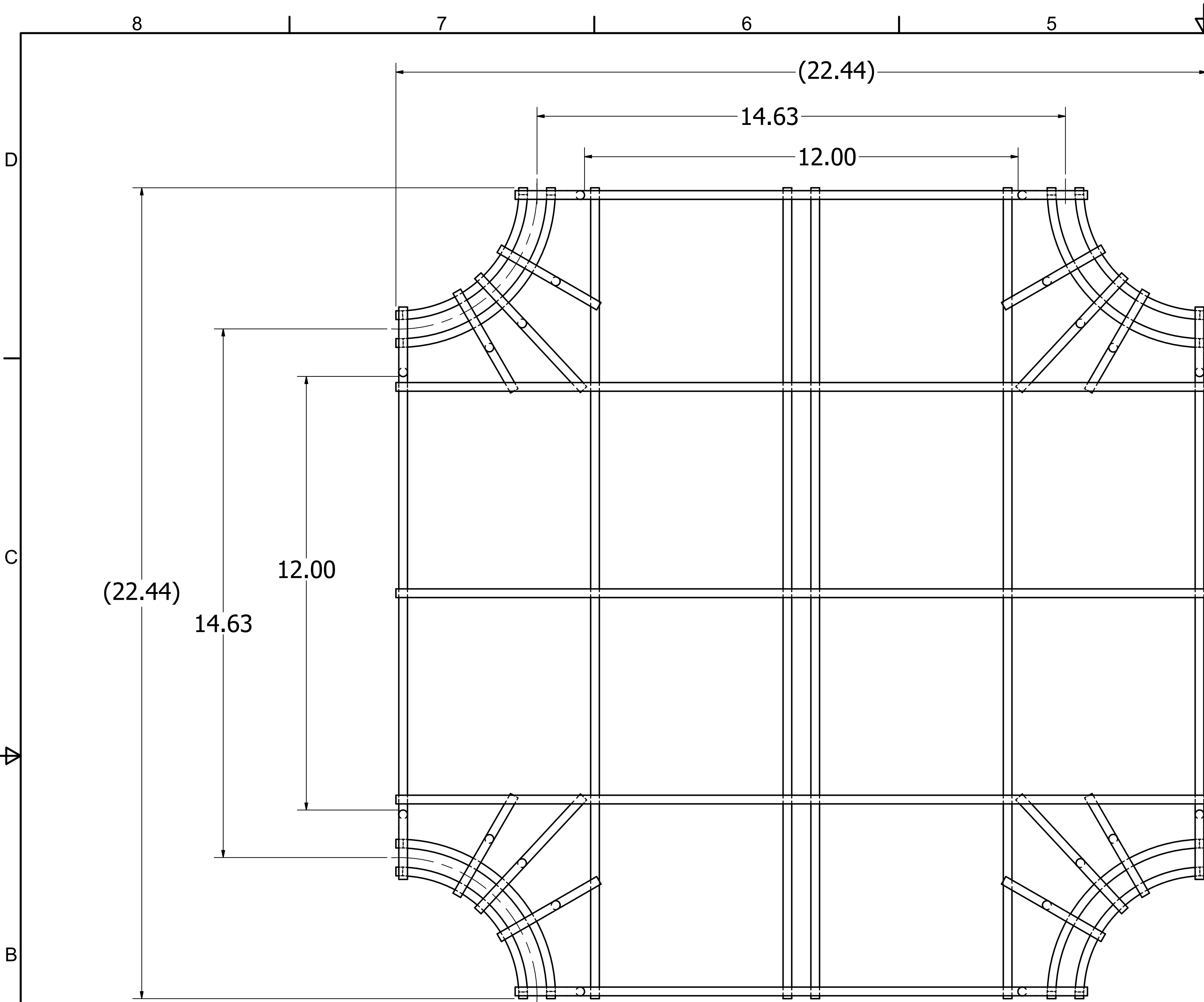


DWG NO:		CM 801-4-12-CG				
REVISION						
ZONE	REV	DESCRIPTION	ECN	DATE	APPR	ENGR
	A	INITIAL RELEASE	10-0000	10/26/2010		



<p>CONFIDENTIAL THIS DRAWING IS THE SOLE PROPERTY OF, AND IS PROPRIETARY TO, CABLE MANAGEMENT SOLUTIONS, INC. THIS DRAWING AND/OR INFORMATION SHALL BE KEPT CONFIDENTIAL, AND MAY NOT BE REPRODUCED, MODIFIED, DISCLOSED, OR MADE AVAILABLE TO OTHERS, WITHOUT THE EXPRESS WRITTEN CONSENT OF SNAKETRAY.</p>		<p>MATERIAL .240 DIA. GALVANIZED WIRE</p>		<p>ALL TOLERANCES IF NOT INDICATED ARE: FRACTIONS= ± 1/32TH .XX= ± .015 .XXX= ± .005 ANGULAR= ± 1/2 DEGREE</p>				<p>CABLE MANAGEMENT SOLUTIONS, INC. 291 SKIP LANE BAY SHORE, NY 11706</p>	
<p>PATENTS SNAKETRAY, SNAKE CANYON, WALL SNAKE AND LADDER SNAKE PRODUCTS ARE COVERED BY ONE OR MORE OF THE FOLLOWING PATENTS: #6,637,704, #6,637,165, #6,463,704, #6,460,812, #6,449,912, #6,361,000, #6,347,493, #6,019,323, #5,953,870, #5,839,702 AND AUS #737,813.</p>		<p>FINISH -</p>		<p>DRAWN BY W. WEST</p>		<p>DATE 10/26/2010</p>		<p>TITLE: MEGA-SNAKE, 4" X 12", CROSSING GRID</p>	
<p>TREATMENT NONE</p>		<p>CHECKED BY DATE</p>		<p>ENGINEERING DATE</p>		<p>SIZE D</p>		<p>USED ON 801 SERIES</p>	
		<p>SCALE NONE</p>		<p>RELEASE DATE</p>		<p>SHEET 1 OF 1</p>		<p>REV. NO A</p>	