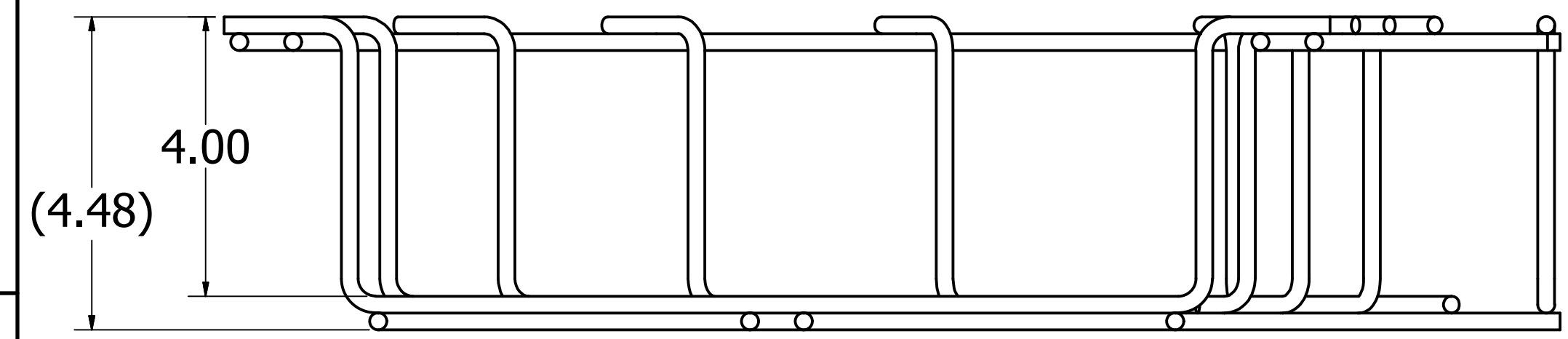
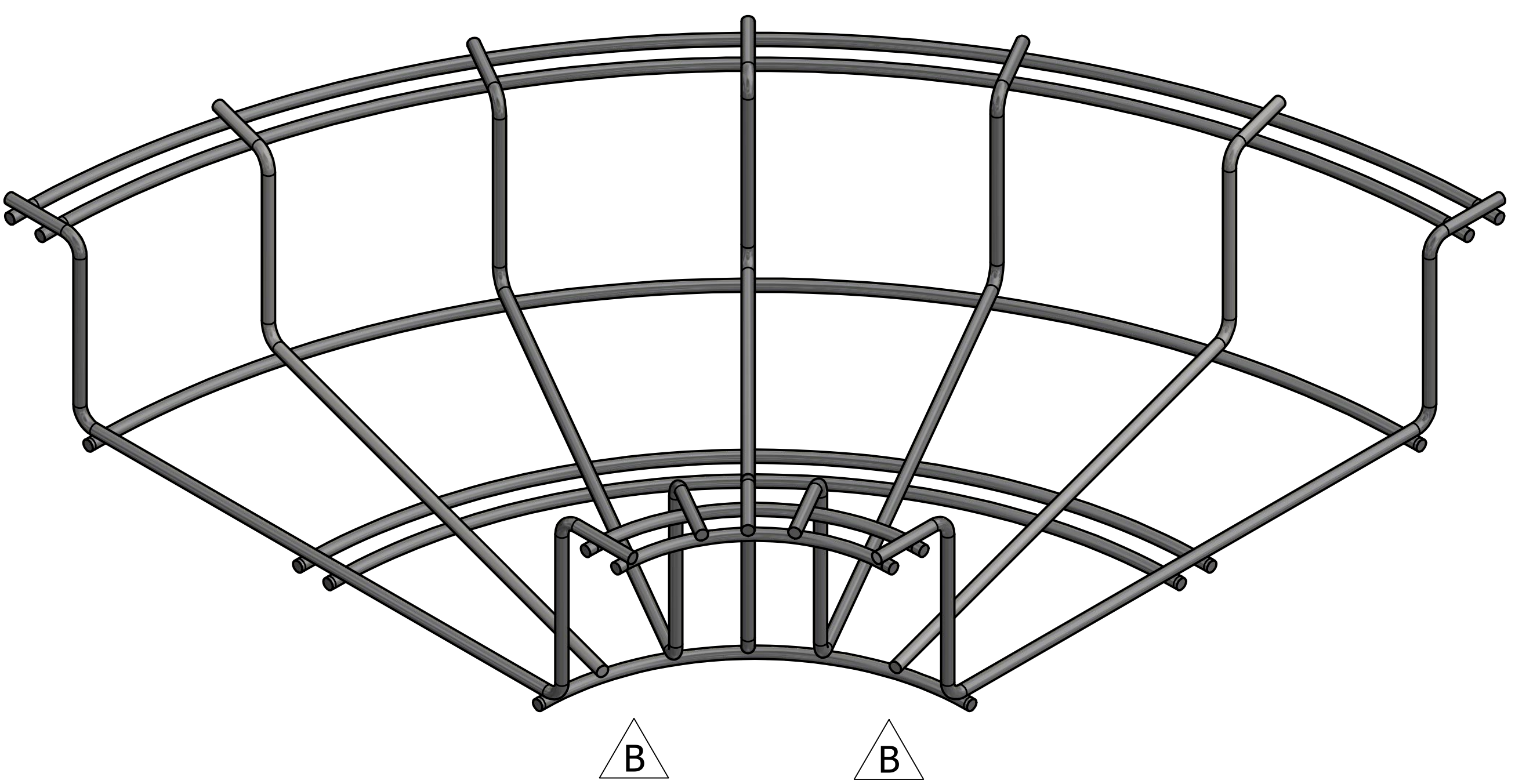
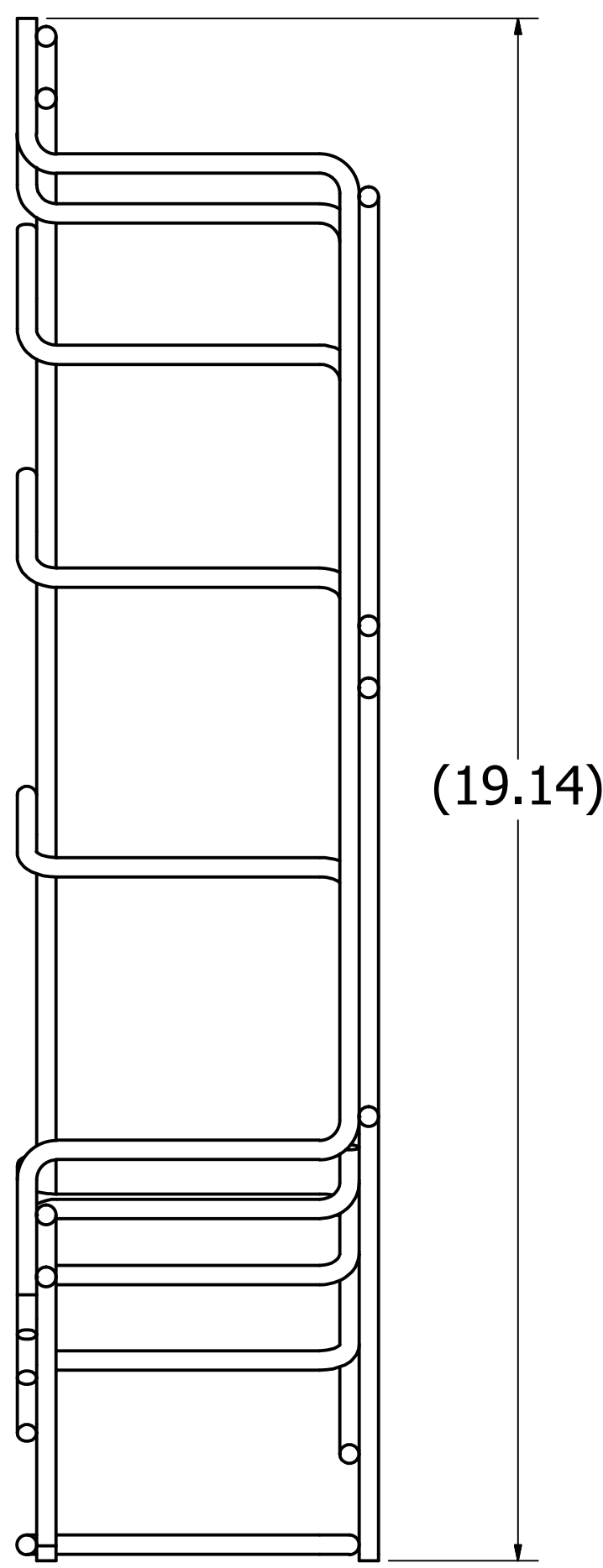
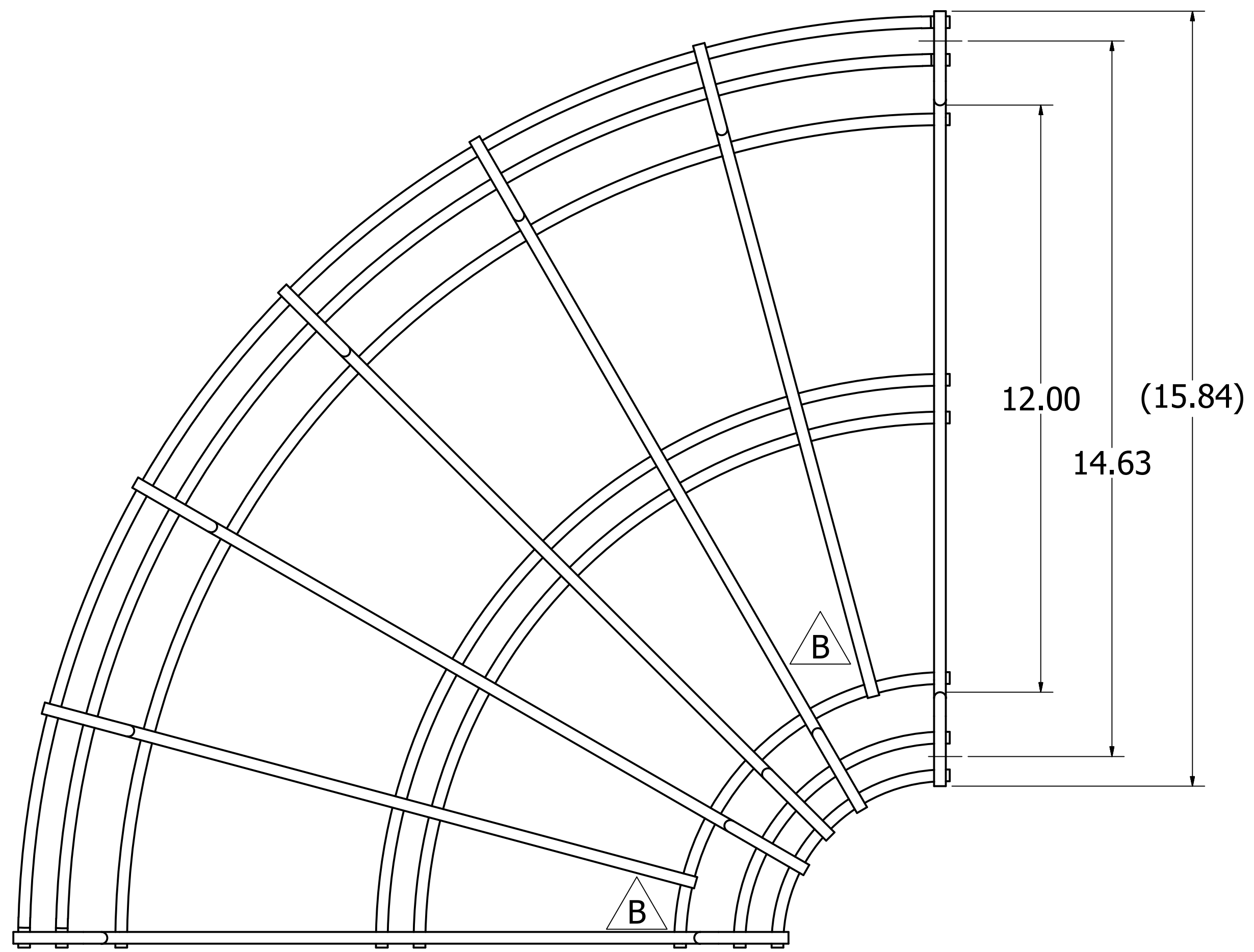


DWG NO: CM 801-4-12-90						
REVISION						
ZONE	REV	DESCRIPTION	ECN	DATE	APPR	ENGR
	A	INITIAL RELEASE	10-0000	10/26/2010		
	B	CUT RIBS SHORT TO FIT SPLICE PLATES	17-0000	3/28/2017	RJ	VV



<p>CONFIDENTIAL THIS DRAWING IS THE SOLE PROPERTY OF, AND IS PROPRIETARY TO, CABLE MANAGEMENT SOLUTIONS, INC. THIS DRAWING AND/OR INFORMATION SHALL BE KEPT CONFIDENTIAL, AND MAY NOT BE REPRODUCED, MODIFIED, DISCLOSED, OR MADE AVAILABLE TO OTHERS, WITHOUT THE EXPRESS WRITTEN CONSENT OF SNAKETRAY.</p> <p>PATENTS SNAKETRAY, SNAKE CANYON, WALL SNAKE AND LADDER SNAKE PRODUCTS ARE COVERED BY ONE OR MORE OF THE FOLLOWING PATENTS: #6,637,704, #6,637,165, #6,463,704, #6,460,812, #6,449,912, #6,361,000, #6,347,493, #6,019,323, #5,953,870, #5,839,702 AND AUS #737,813.</p>	MATERIAL .240 DIA. GALVANIZED WIRE	ALL TOLERANCES IF NOT INDICATED ARE: FRACTIONS= ± 1/32TH .XX= ± .015 .XXX= ± .005 ANGULAR= ± 1/2 DEGREE			<p>CABLE MANAGEMENT SOLUTIONS, INC. 291 SKIP LANE BAY SHORE, NY 11706</p>	
	FINISH -	DRAWN BY W. WEST	DATE 3/28/2017			TITLE: MEGA-SNAKE 4" X 12" 90 DEGREE TURN
	TREATMENT NONE	CHECKED BY B. RENZ	DATE 3/28/2017	SIZE D	USED ON 801 SERIES	DWG NO CM 801-4-12-90
		ENGINEERING R. JETTE	DATE 3/28/2017	SCALE NONE	RELEASE DATE 3/28/2017	SHEET 1 OF 1