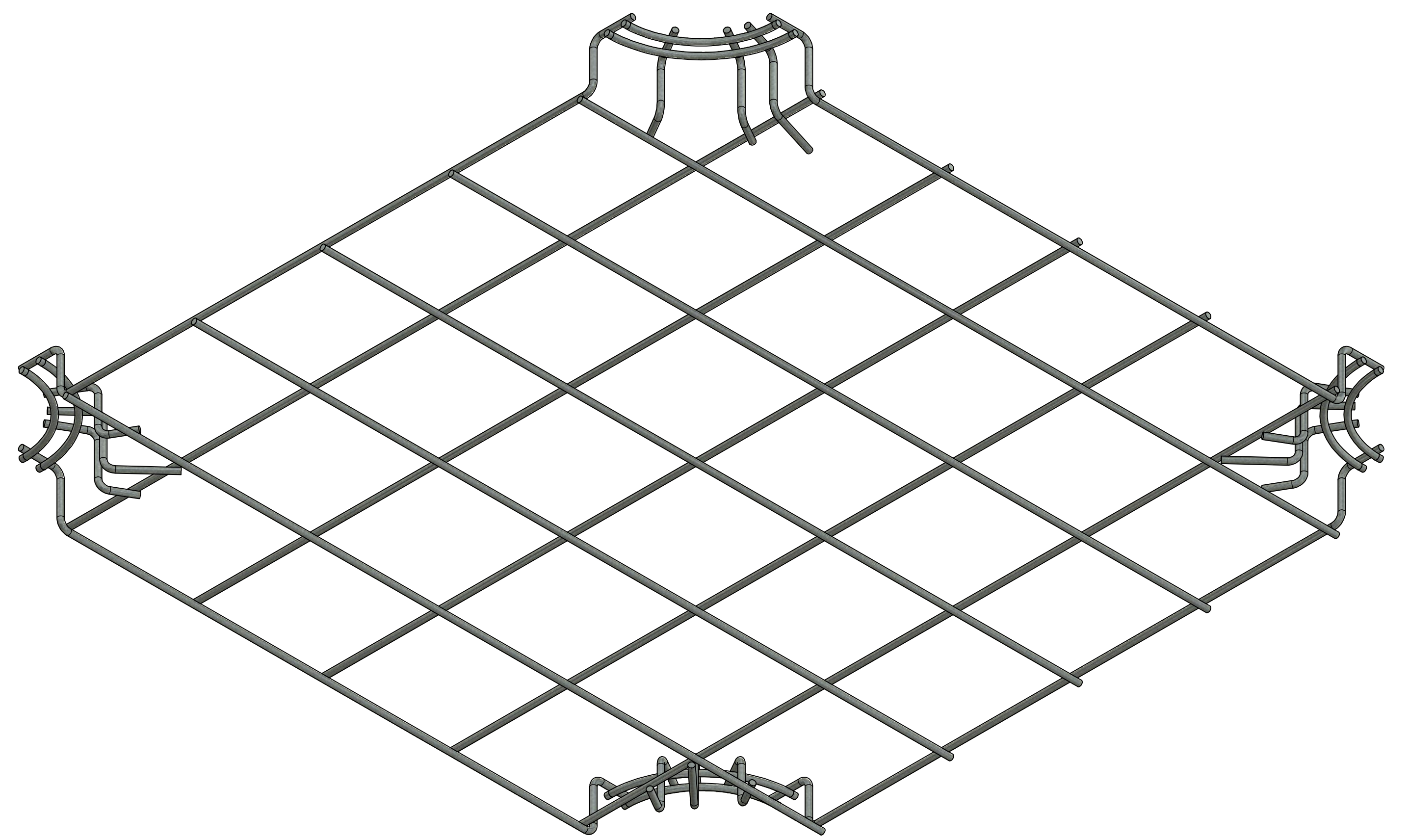
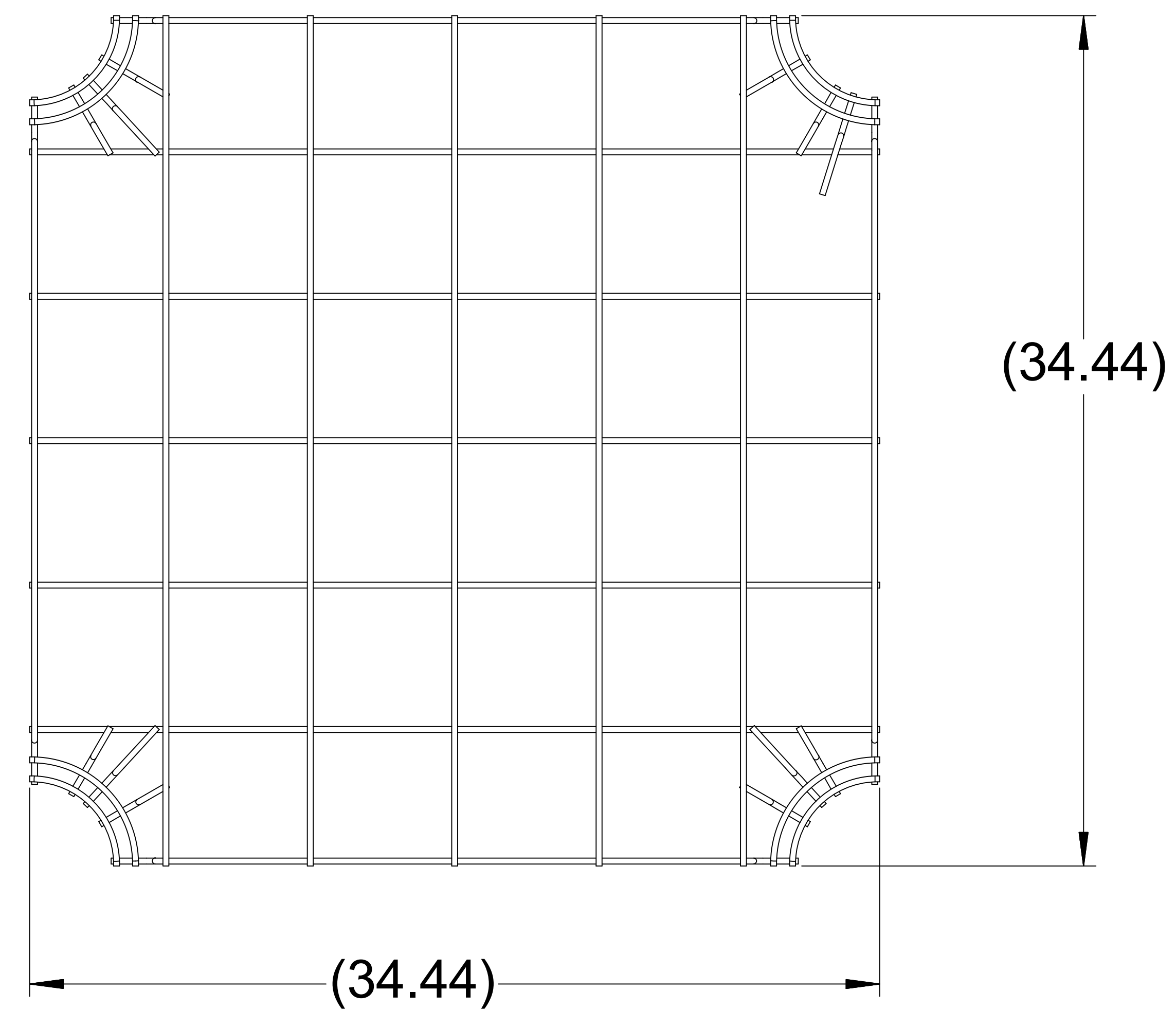
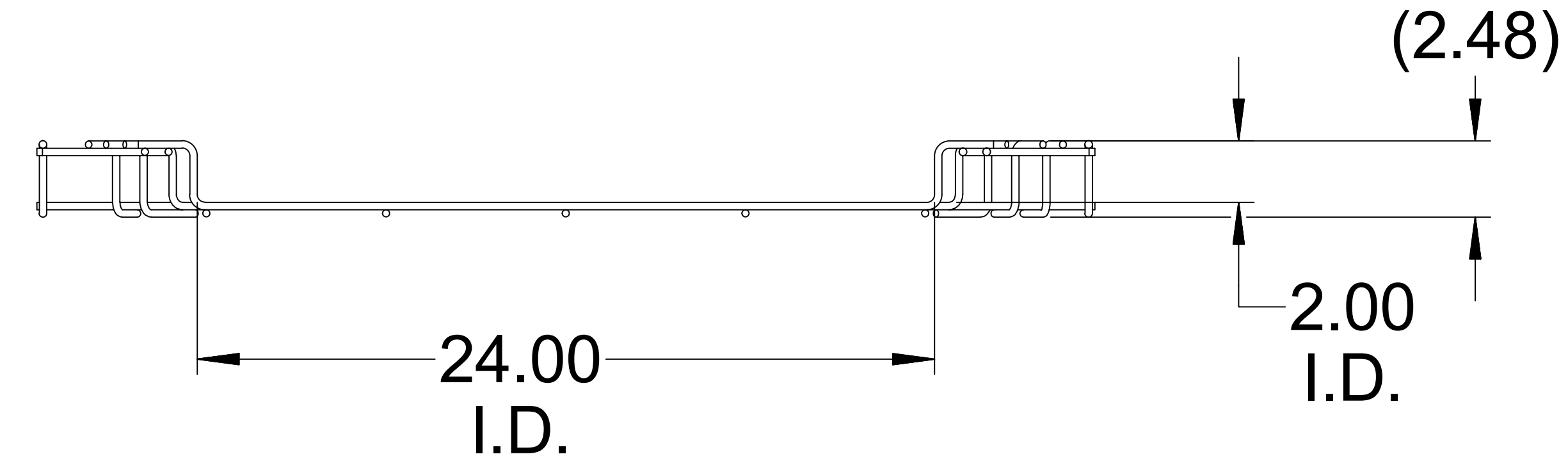


DWG NO:		CM 801-2-24-CG				
REVISION						
ZONE	REV	DESCRIPTION	ECN	DATE	APPR	ENGR
	A	INITIAL RELEASE	10-0000	3/18/2010		



<p>CONFIDENTIAL</p> <p>THIS DRAWING IS THE SOLE PROPERTY OF, AND IS PROPRIETARY TO, CABLE MANAGEMENT SOLUTIONS, INC. THIS DRAWING AND/OR INFORMATION SHALL BE KEPT CONFIDENTIAL, AND MAY NOT BE REPRODUCED, MODIFIED, DISCLOSED, OR MADE AVAILABLE TO OTHERS, WITHOUT THE EXPRESS WRITTEN CONSENT OF SNAKETRAY.</p>	MATERIAL	ALL TOLERANCES IF NOT INDICATED ARE:			<p>CABLE MANAGEMENT SOLUTIONS, INC.</p> <p>291 SKIP LANE</p> <p>BAY SHORE, NY 11706</p>
	.240 DIA. GALVANIZED WIRE	FRACTIONS= ± 1/32TH .XX= ± .015 .XXX= ± .005 ANGULAR= ± 1/2 DEGREE			
<p>PATENTS</p> <p>SNAKETRAY, SNAKE CANYON, WALL SNAKE AND LADDER SNAKE PRODUCTS ARE COVERED BY ONE OR MORE OF THE FOLLOWING PATENTS: #6,637,704, #6,637,165, #6,463,704, #6,460,812, #6,449,912, #6,361,000, #6,347,493, #6,019,323, #5,953,870, #5,839,702 AND AUS #737,813.</p>	FINISH	DRAWN BY	DATE	TITLE:	
	TBD	M Rudz	11/5/2010	MEGA-SNAKE 2 X 24, CG	
<p>TREATMENT</p> <p>NONE</p>	<p>CHECKED BY</p> <p>ENGINEERING</p>	DATE	DATE	SIZE	USED ON
				D	CM 801-2-24-CG
		SCALE	RELEASE DATE	SHEET	REV. NO
		NONE		1 OF 1	A