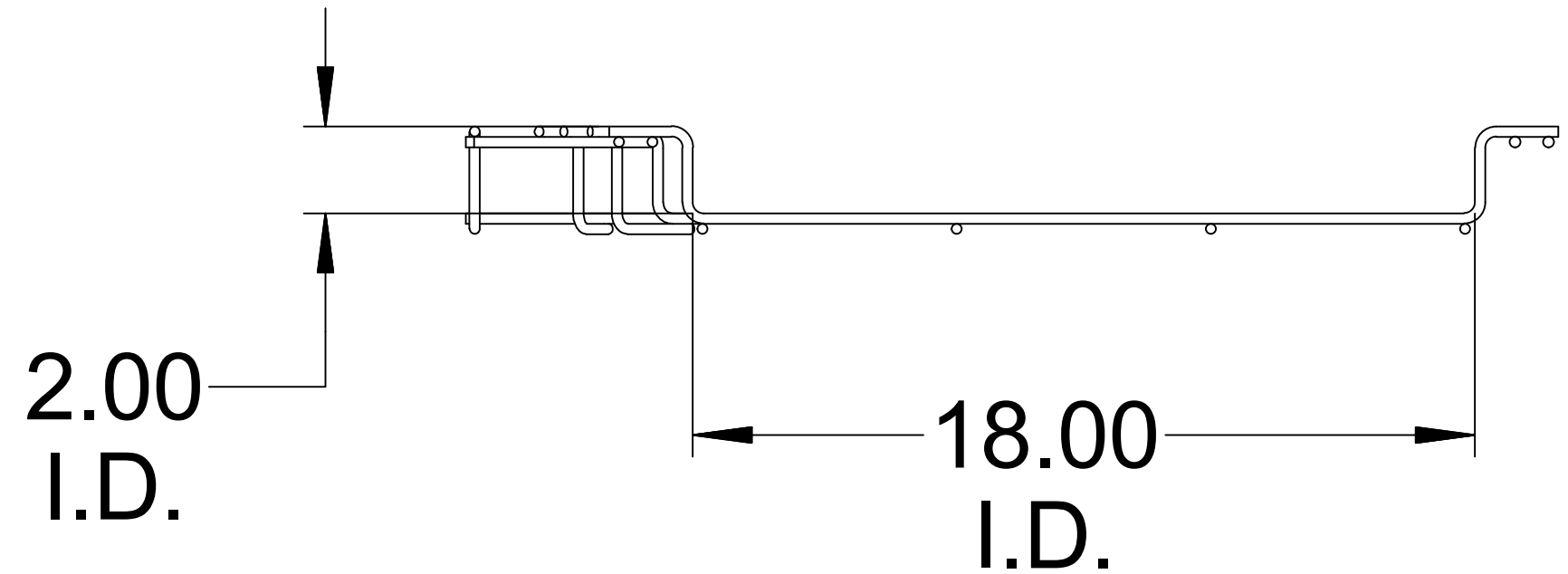
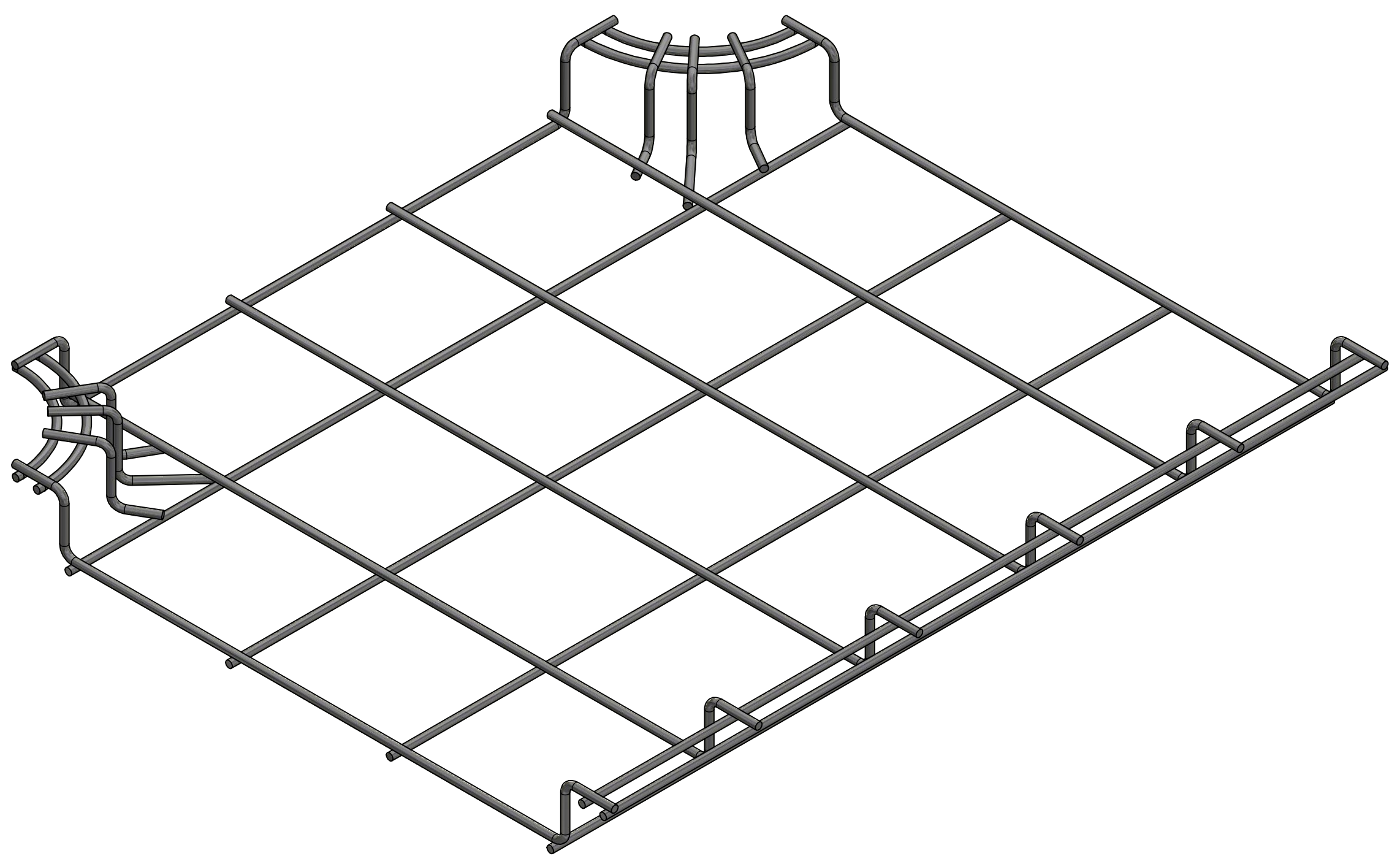
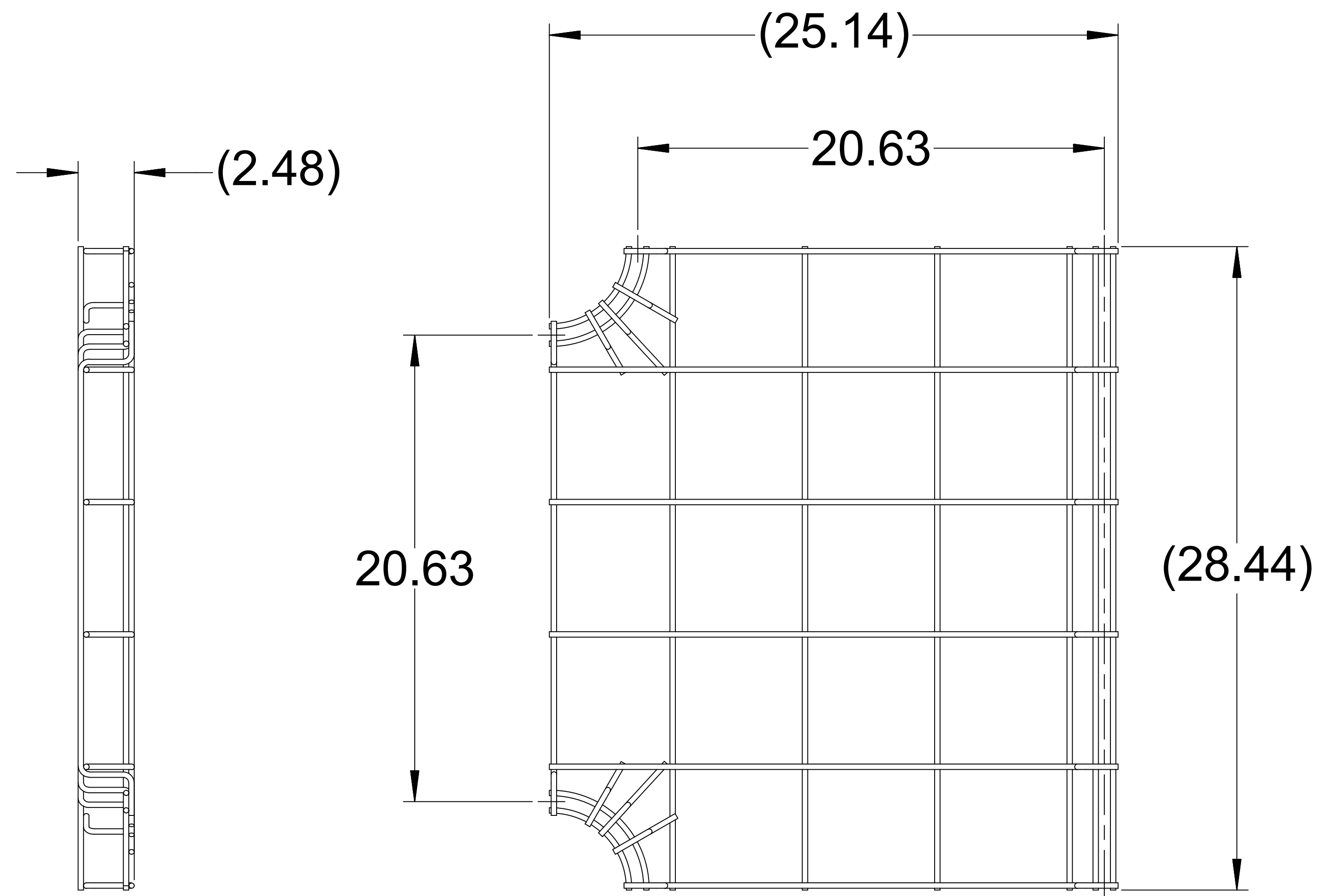


DWG NO: CM 801-2-18-T				
REVISION				
ZONE	REV	DESCRIPTION	ECN	DATE
	A	INITIAL RELEASE	10-0000	3/18/2010
APPR	ENGR			



<p>CONFIDENTIAL THIS DRAWING IS THE SOLE PROPERTY OF, AND IS PROPRIETARY TO, CABLE MANAGEMENT SOLUTIONS, INC. THIS DRAWING AND/OR INFORMATION SHALL BE KEPT CONFIDENTIAL, AND MAY NOT BE REPRODUCED, MODIFIED, DISCLOSED, OR MADE AVAILABLE TO OTHERS, WITHOUT THE EXPRESS WRITTEN CONSENT OF SNAKETRAY.</p>	MATERIAL	ALL TOLERANCES IF NOT INDICATED ARE: FRACTIONS= ± 1/32TH .XX= ± .015 .XXX= ± .005 ANGULAR= ± 1/2 DEGREE			<p>CABLE MANAGEMENT SOLUTIONS, INC. 291 SKIP LANE BAY SHORE, NY 11706</p>					
	.250 DIA. GALVANIZED WIRE	FINISH	<table border="1"> <tr> <td>DRAWN BY</td> <td>DATE</td> </tr> <tr> <td>W. WEST</td> <td>11/5/2010</td> </tr> <tr> <td>CHECKED BY</td> <td>DATE</td> </tr> </table>			DRAWN BY	DATE	W. WEST	11/5/2010	CHECKED BY
DRAWN BY	DATE									
W. WEST	11/5/2010									
CHECKED BY	DATE									
<p>PATENTS SNAKETRAY, SNAKE CANYON, WALL SNAKE AND LADDER SNAKE PRODUCTS ARE COVERED BY ONE OR MORE OF THE FOLLOWING PATENTS: #6,637,704, #6,637,165, #6,463,704, #6,460,812, #6,449,912, #6,361,000, #6,347,493, #6,019,323, #5,953,870, #5,839,702 AND AUS #737,813.</p>	TREATMENT	ENGINEERING	DATE	SCALE	USED ON					
	NONE			NONE	801 SERIES					
				DWG NO	CM 801-2-18-T					
				RELEASE DATE	SHEET 1 OF 1					
				REV. NO	A					