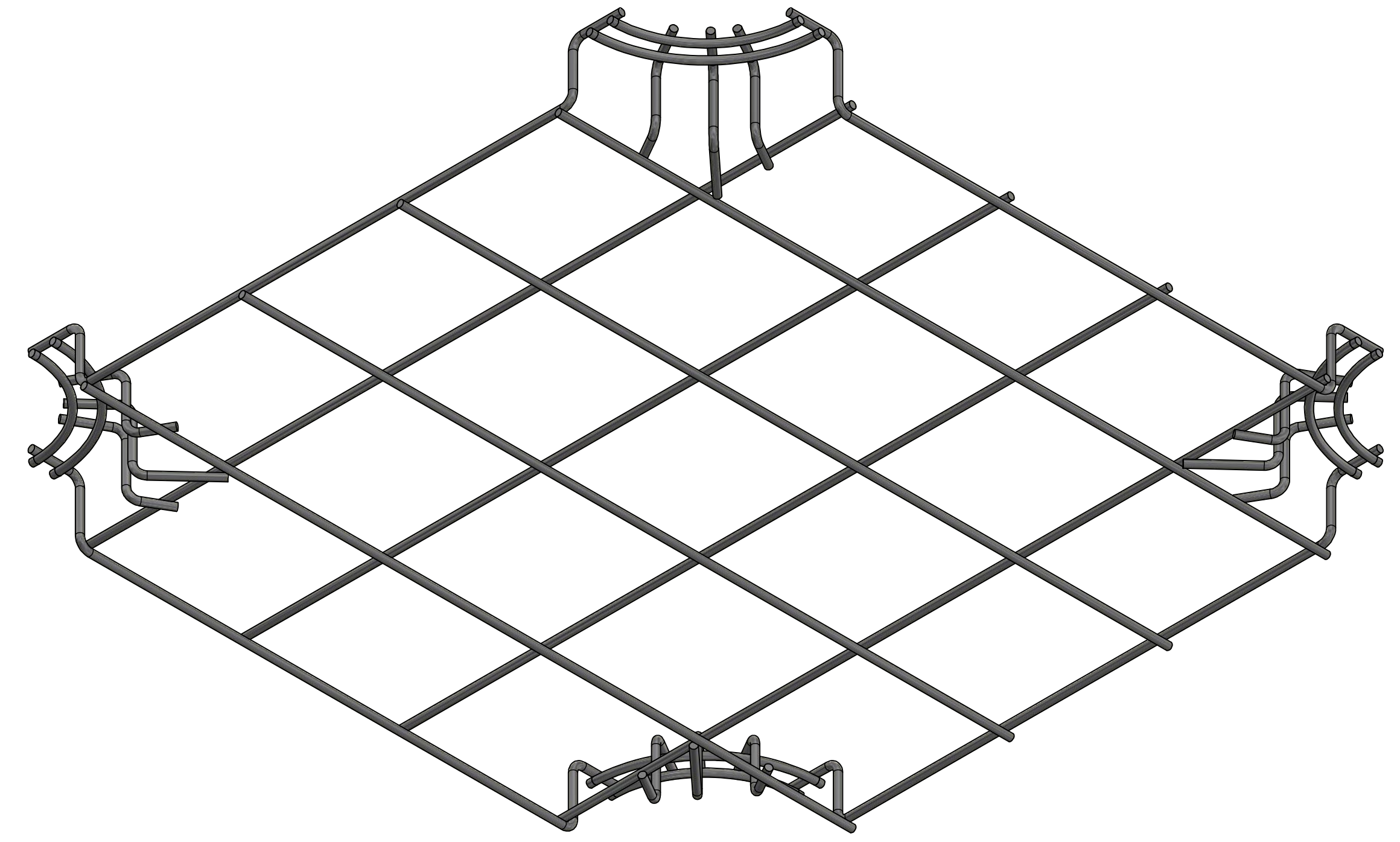
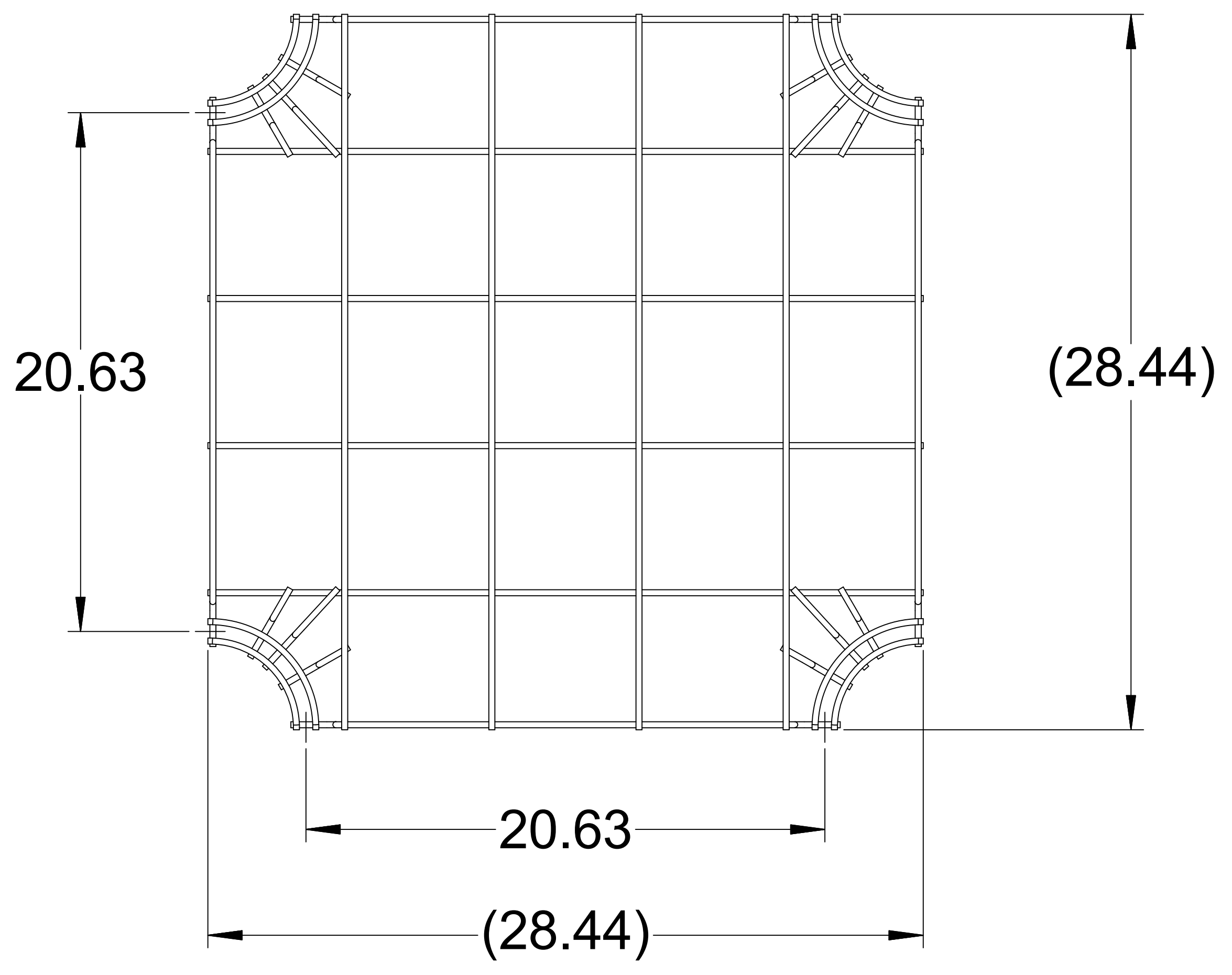
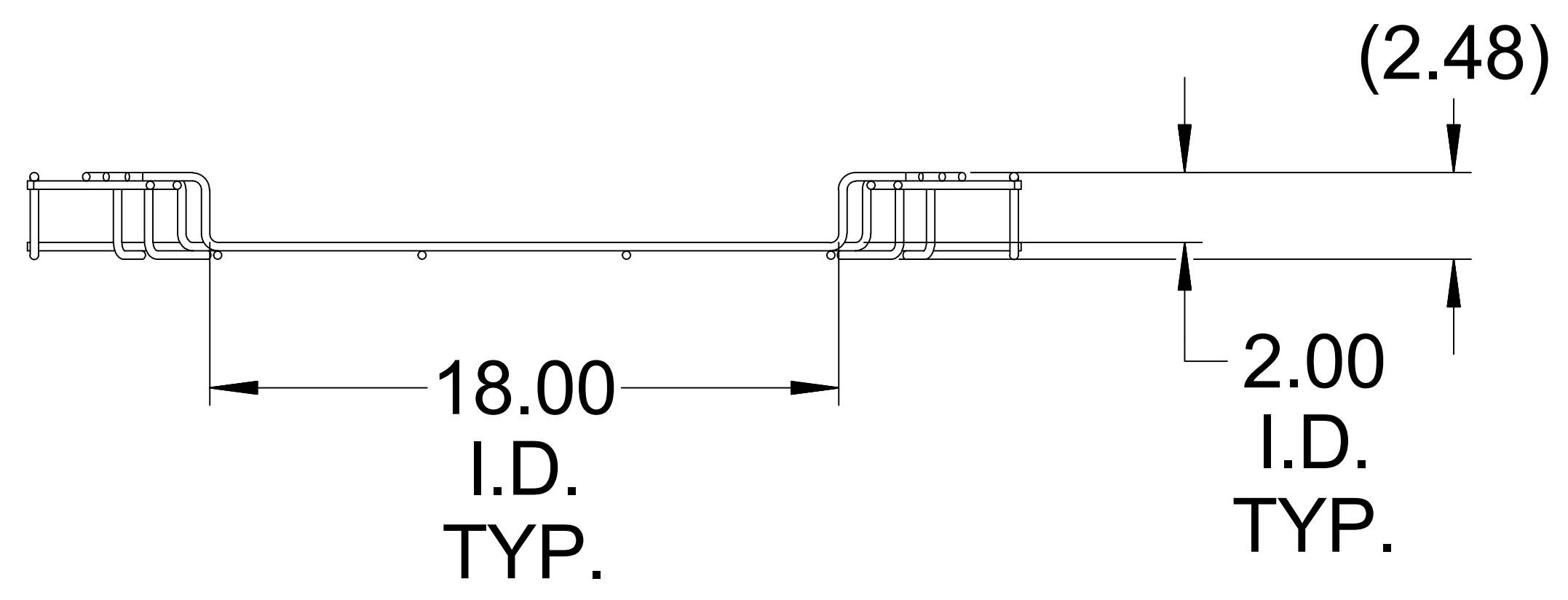


DWG NO: CM 801-2-18-CG				
REVISION				
ZONE	REV	DESCRIPTION	ECN	DATE
	A	INITIAL RELEASE	10-0000	3/18/2010



CONFIDENTIAL
 THIS DRAWING IS THE SOLE PROPERTY OF, AND IS PROPRIETARY TO, CABLE MANAGEMENT SOLUTIONS, INC. THIS DRAWING AND/OR INFORMATION SHALL BE KEPT CONFIDENTIAL, AND MAY NOT BE REPRODUCED, MODIFIED, DISCLOSED, OR MADE AVAILABLE TO OTHERS, WITHOUT THE EXPRESS WRITTEN CONSENT OF SNAKETRAY.

PATENTS
 SNAKETRAY, SNAKE CANYON, WALL SNAKE AND LADDER SNAKE PRODUCTS ARE COVERED BY ONE OR MORE OF THE FOLLOWING PATENTS: #6,637,704, #6,637,165, #6,463,704, #6,460,812, #6,449,912, #6,361,000, #6,347,493, #6,019,323, #5,953,870, #5,839,702 AND AUS #737,813.

MATERIAL
 .250 DIA. GALVANIZED WIRE

FINISH
 TBD

TREATMENT
 NONE

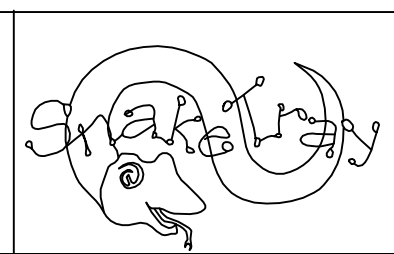
ALL TOLERANCES IF NOT INDICATED ARE:
 FRACTIONS= ± 1/32TH
 .XX= ± .015
 .XXX= ± .005
 ANGLULAR= ± 1/2 DEGREE

DRAWN BY
 M Rudz

DATE
 11/5/2010

CHECKED BY
 DATE

ENGINEERING
 DATE



CABLE MANAGEMENT SOLUTIONS, INC.
 291 SKIP LANE
 BAY SHORE, NY 11706

TITLE:
 MEGA-SNAKE 2" X 18" CROSSING GRID

SIZE
 D

USED ON
 801 SERIES

DWG NO
 CM 801-2-18-CG

SCALE
 NONE

RELEASE DATE
 SHEET 1 OF 1

REV. NO
 A