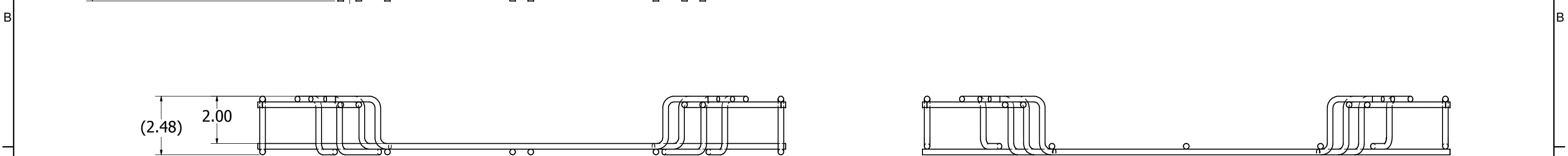
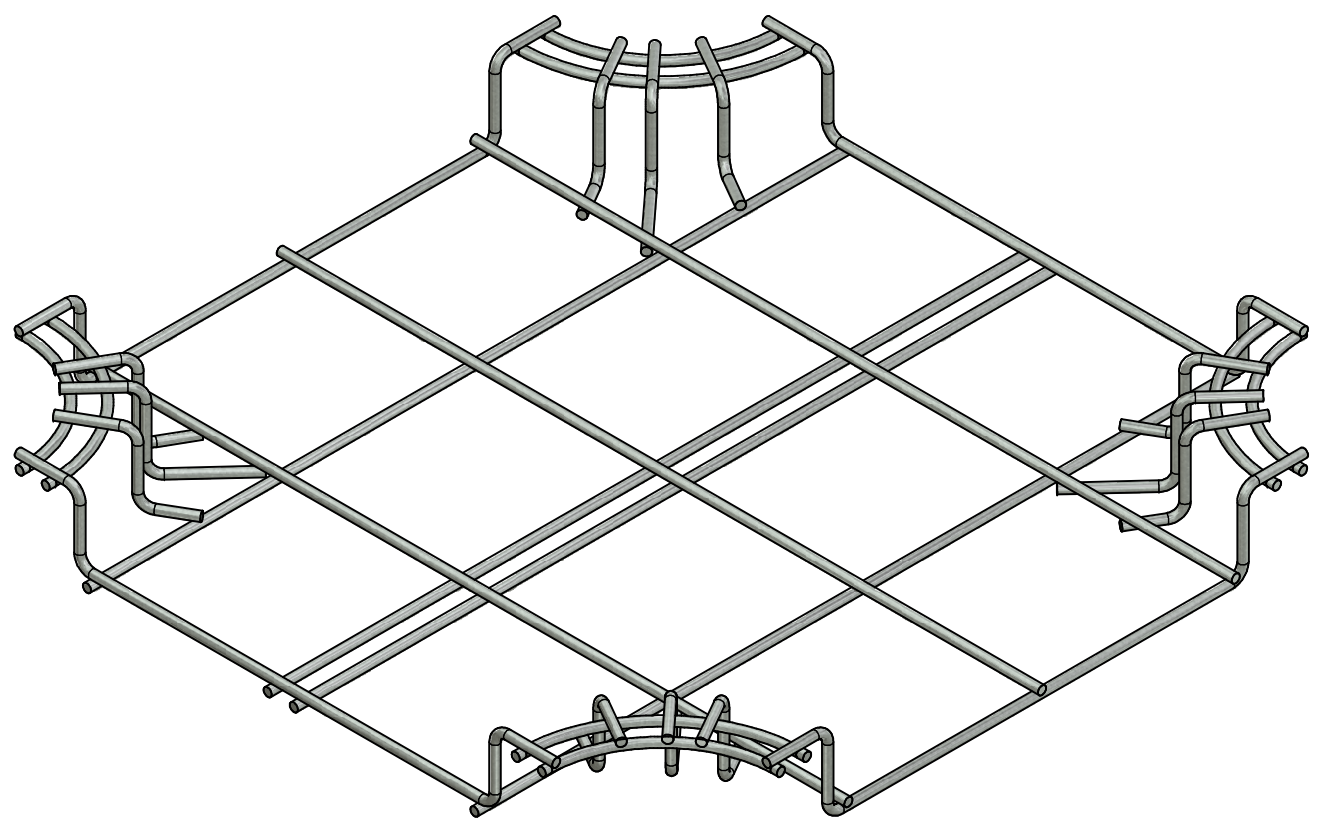
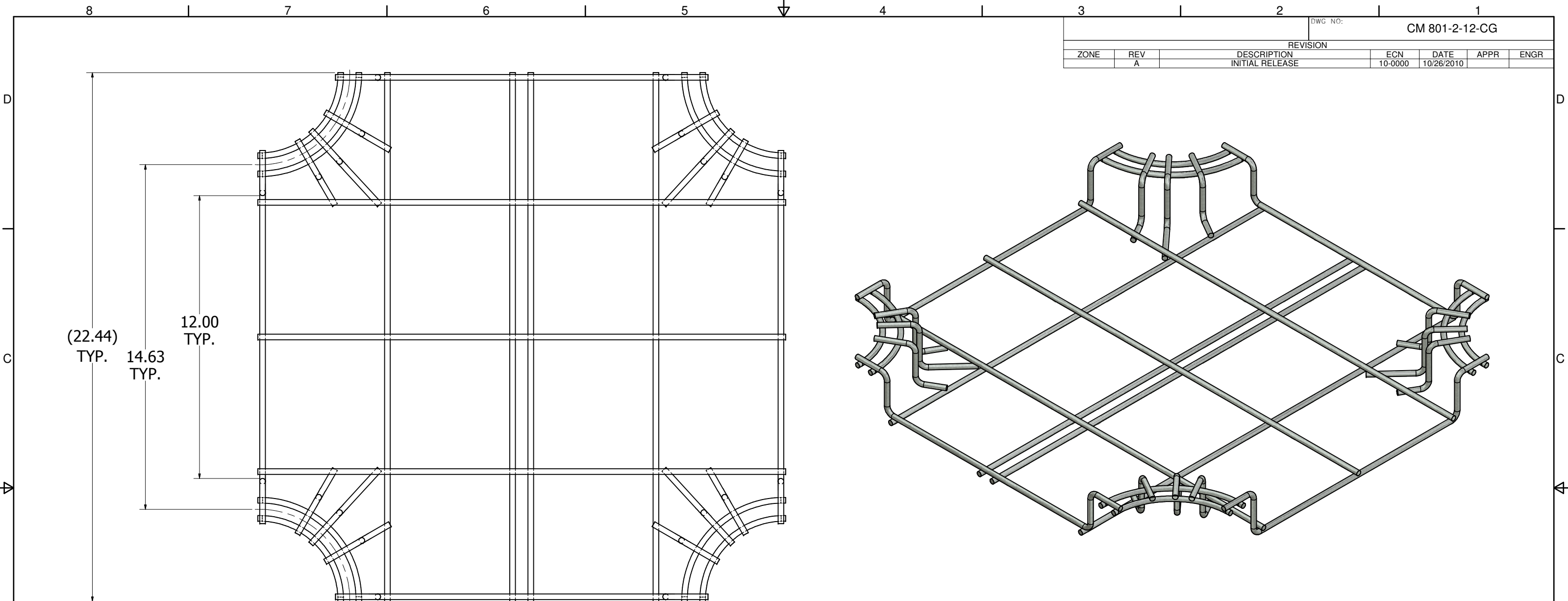



| DWG NO: CM 801-2-12-CG | | | | | | |
|------------------------|-----|-----------------|---------|------------|------|------|
| REVISION | | | | | | |
| ZONE | REV | DESCRIPTION | ECN | DATE | APPR | ENGR |
| | A | INITIAL RELEASE | 10-0000 | 10/26/2010 | | |



| | | | | | |
|---|-----------------------|---|--------------------|--|--------------------------|
| <p>CONFIDENTIAL THIS DRAWING IS THE SOLE PROPERTY OF, AND IS PROPRIETARY TO, CABLE MANAGEMENT SOLUTIONS, INC. THIS DRAWING AND/OR INFORMATION SHALL BE KEPT CONFIDENTIAL, AND MAY NOT BE REPRODUCED, MODIFIED, DISCLOSED, OR MADE AVAILABLE TO OTHERS, WITHOUT THE EXPRESS WRITTEN CONSENT OF SNAKETRAY.</p> | MATERIAL | ALL TOLERANCES IF NOT INDICATED ARE: FRACTIONS= ± 1/32TH .XX= ± .015 .XXX= ± .005 ANGULAR= ± 1/2 DEGREE | |  <p>CABLE MANAGEMENT SOLUTIONS, INC. 291 SKIP LANE BAY SHORE, NY 11706</p> | |
| | GALVANIZED STEEL WIRE | FINISH | DRAWN BY M Rudz | | DATE 10/26/2010 |
| <p>PATENTS SNAKETRAY, SNAKE CANYON, WALL SNAKE AND LADDER SNAKE PRODUCTS ARE COVERED BY ONE OR MORE OF THE FOLLOWING PATENTS: #6,637,704, #6,637,165, #6,463,704, #6,460,812, #6,449,912, #6,361,000, #6,347,493, #6,019,323, #5,953,870, #5,839,702 AND AUS #737,813.</p> | TBD | CHECKED BY | DATE | TITLE: 2x12 MEGA SNAKE CROSSING GRID | |
| | NONE | TREATMENT | ENGINEERING | DATE | SIZE D |
| | | | | USED ON 801 SERIES | DWG NO CM 801-2-12-CG |
| | | | | SCALE NONE | RELEASE DATE |
| | | | | SHEET 1 OF 1 | REV. NO A |