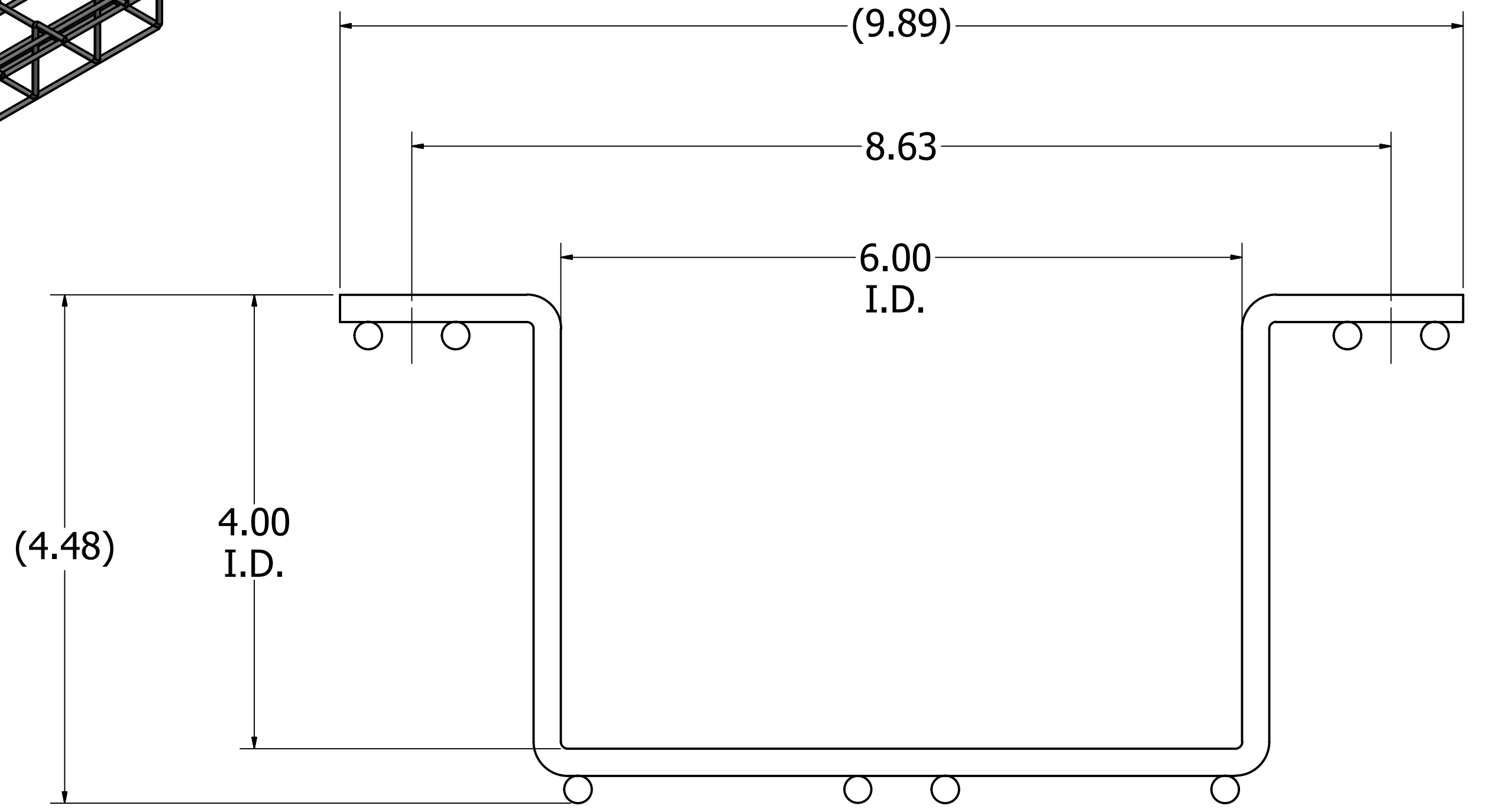
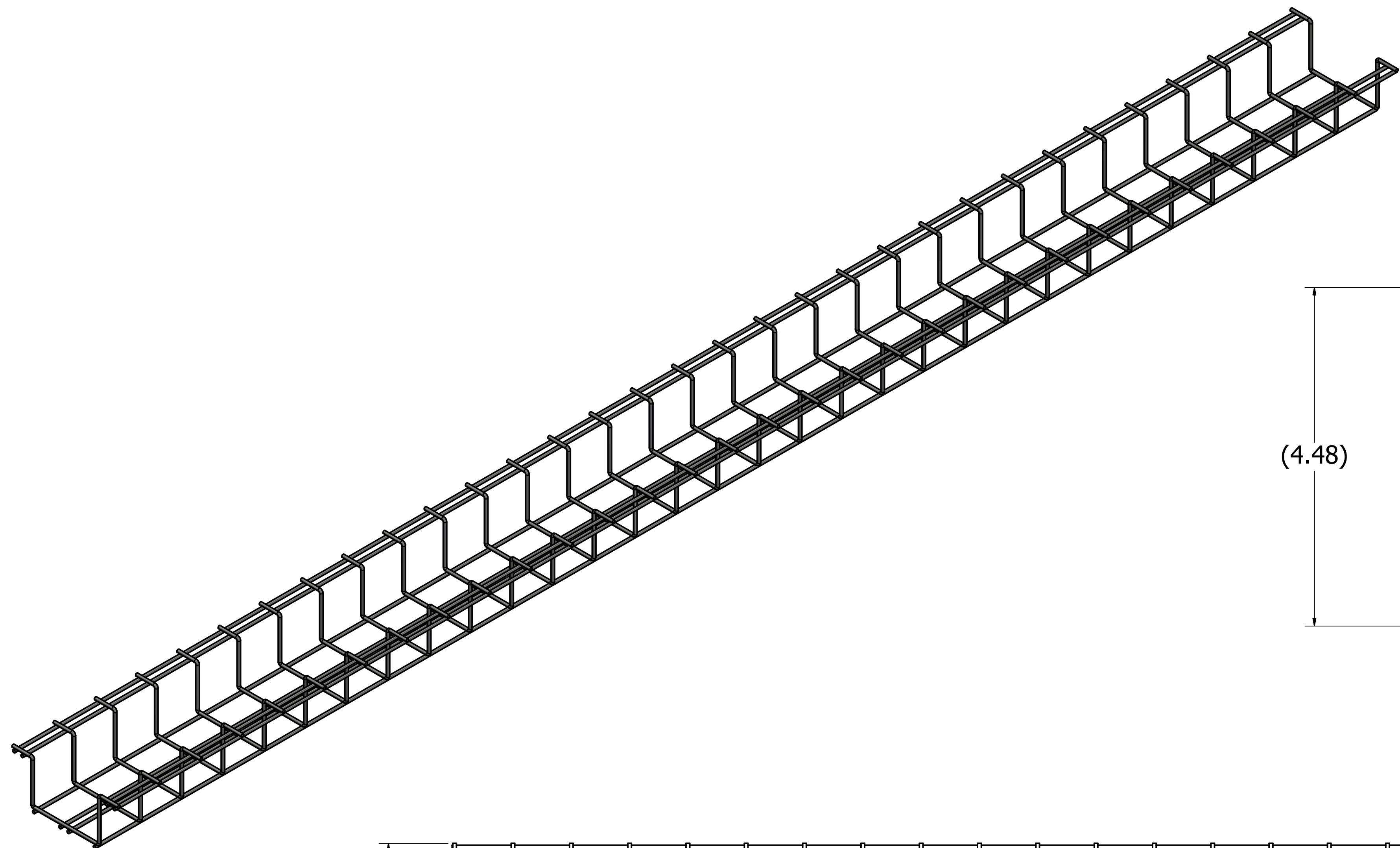
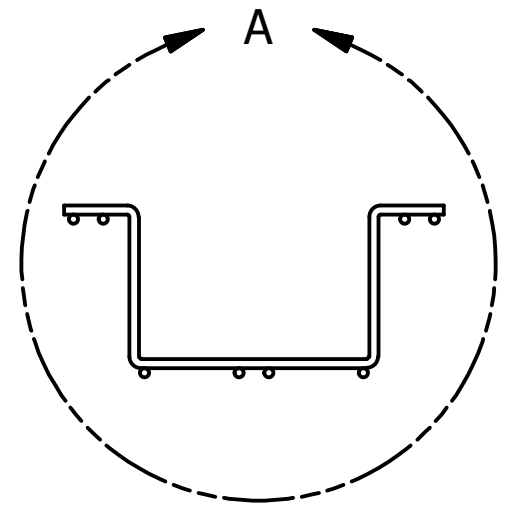
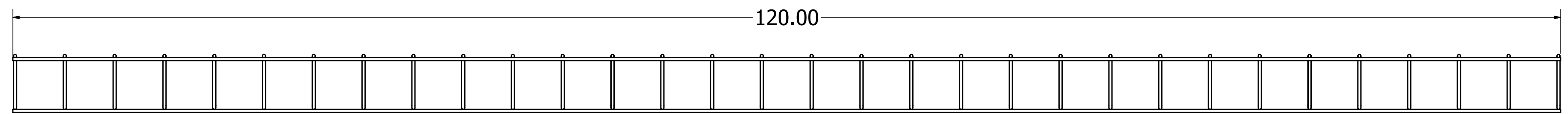
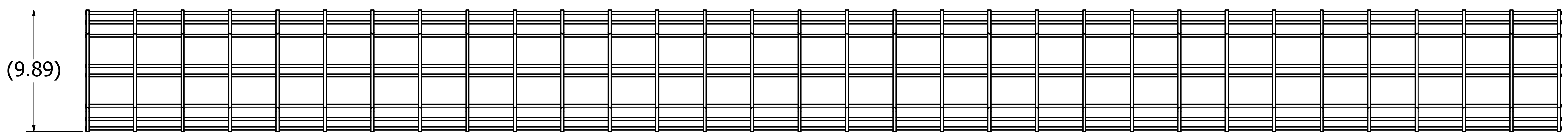


DWG NO: CM 801-4-6-10						
REVISION						
ZONE	REV	DESCRIPTION	ECN	DATE	APPR	ENGR
	A	INITIAL RELEASE	10-0000	12/10/2010		
	B	ADDED DOUBLE RAIL TO CENTER OF TRAY	12-0000	6/18/12	RJ	



DETAIL A
SCALE 1 : 1



<p>CONFIDENTIAL THIS DRAWING IS THE SOLE PROPERTY OF, AND IS PROPRIETARY TO, CABLE MANAGEMENT SOLUTIONS, INC. THIS DRAWING AND/OR INFORMATION SHALL BE KEPT CONFIDENTIAL, AND MAY NOT BE REPRODUCED, MODIFIED, DISCLOSED, OR MADE AVAILABLE TO OTHERS, WITHOUT THE EXPRESS WRITTEN CONSENT OF SNAKETRAY.</p>	MATERIAL	ALL TOLERANCES IF NOT INDICATED ARE: FRACTIONS= ± 1/32TH .XX= ± .015 .XXX= ± .005 ANGULAR= ± 1/2 DEGREE			<p>CABLE MANAGEMENT SOLUTIONS, INC. 291 SKIP LANE BAY SHORE, NY 11706</p>												
	240 DIA. GALAVANIZED WIRE	FINISH	<table border="1"> <tr> <td>DRAWN BY</td> <td>DATE</td> </tr> <tr> <td>W. WEST</td> <td>12/10/2010</td> </tr> <tr> <td>CHECKED BY</td> <td>DATE</td> </tr> <tr> <td>ENGINEERING</td> <td>DATE</td> </tr> </table>			DRAWN BY	DATE	W. WEST	12/10/2010	CHECKED BY	DATE	ENGINEERING	DATE	TITLE:			
DRAWN BY	DATE																
W. WEST	12/10/2010																
CHECKED BY	DATE																
ENGINEERING	DATE																
PATENTS	TREATMENT	NONE		<p>MEGA-SNAKE 4" X 6" STRAIGHT SECTION, 10' LONG</p>													
<p>SNAKETRAY, SNAKE CANYON, WALL SNAKE AND LADDER SNAKE PRODUCTS ARE COVERED BY ONE OR MORE OF THE FOLLOWING PATENTS: #6,637,704, #6,637,165, #6,463,704, #6,460,812, #6,449,912, #6,361,000, #6,347,493, #6,019,323, #5,953,870, #5,839,702 AND AUS #737,813.</p>				<table border="1"> <tr> <td>SIZE</td> <td>USED ON</td> <td>DWG NO</td> </tr> <tr> <td>D</td> <td>801 SERIES</td> <td>CM 801-4-6-10</td> </tr> <tr> <td>SCALE</td> <td>RELEASE DATE</td> <td>SHEET</td> </tr> <tr> <td>NONE</td> <td></td> <td>1 OF 1</td> </tr> </table>	SIZE	USED ON	DWG NO	D	801 SERIES	CM 801-4-6-10	SCALE	RELEASE DATE	SHEET	NONE		1 OF 1	REV. NO
SIZE	USED ON	DWG NO															
D	801 SERIES	CM 801-4-6-10															
SCALE	RELEASE DATE	SHEET															
NONE		1 OF 1															
					B												