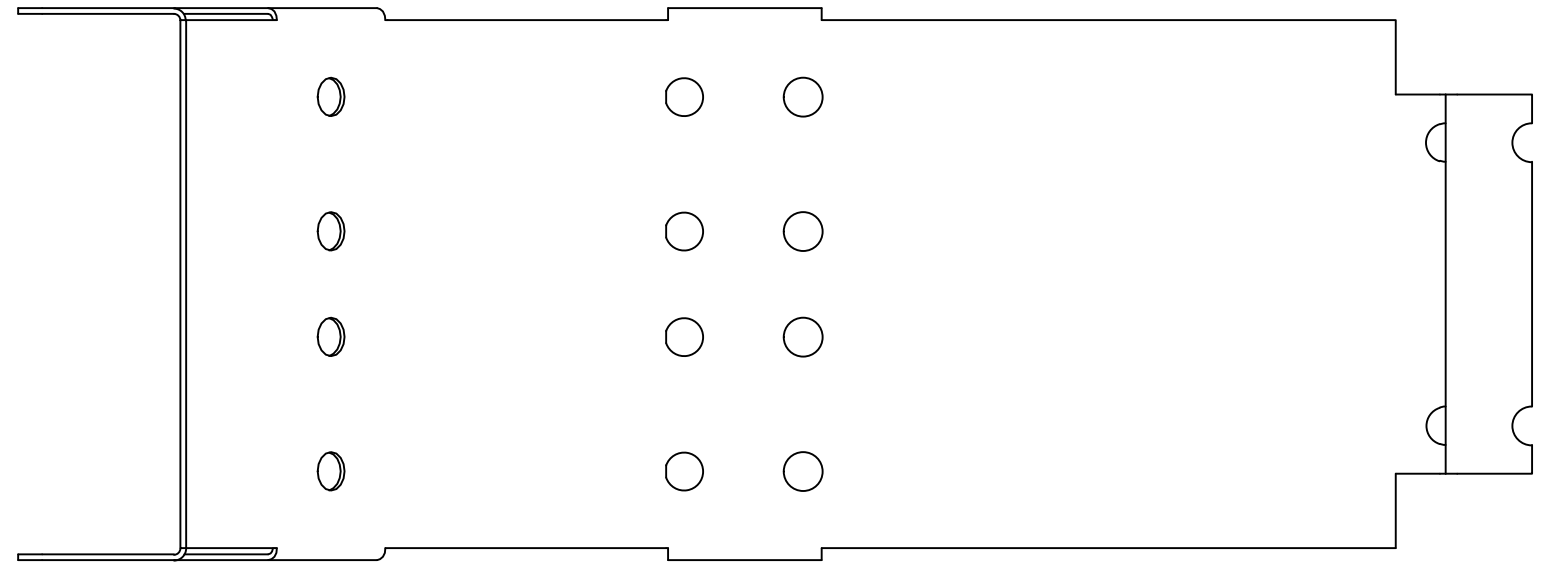
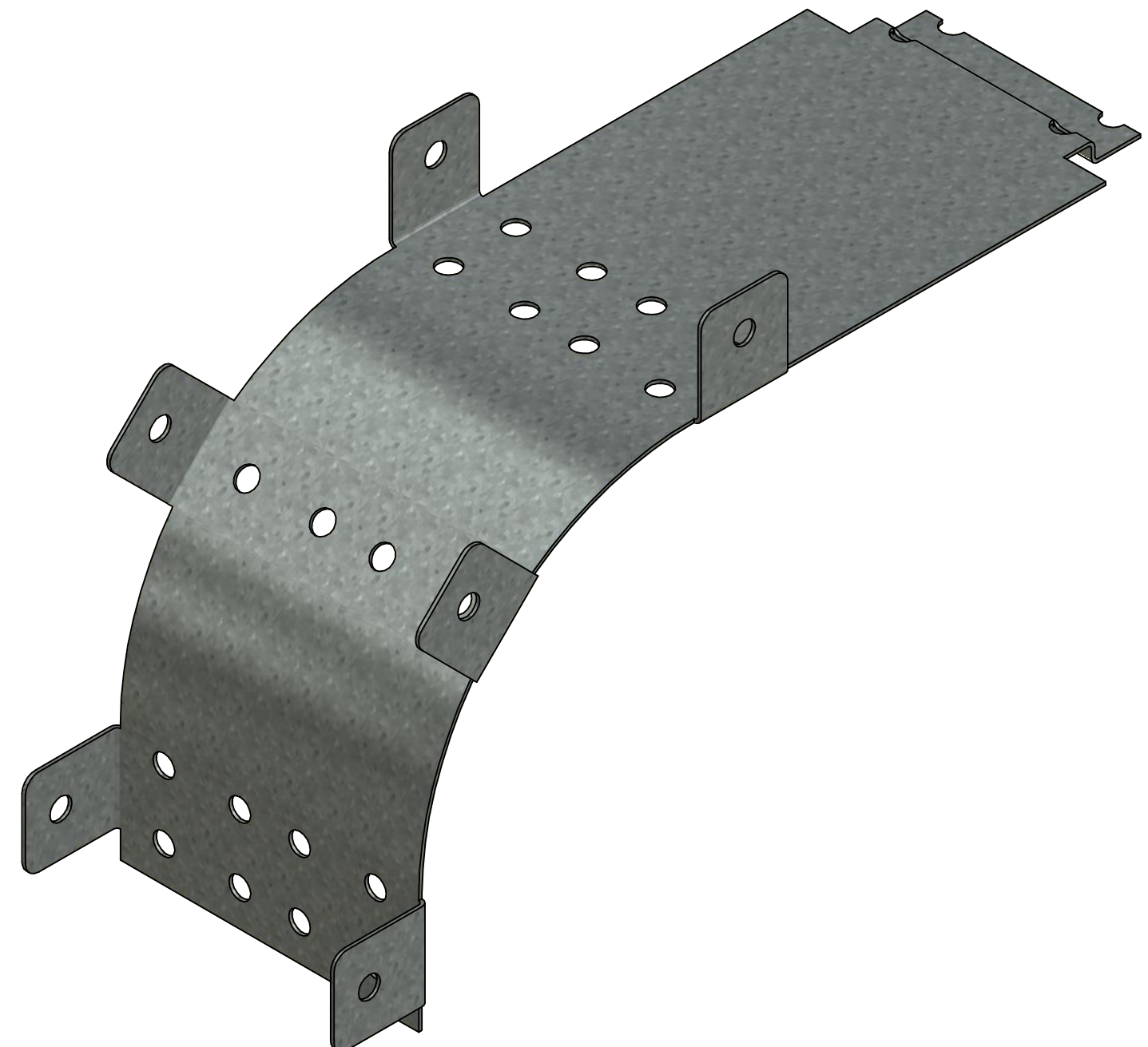
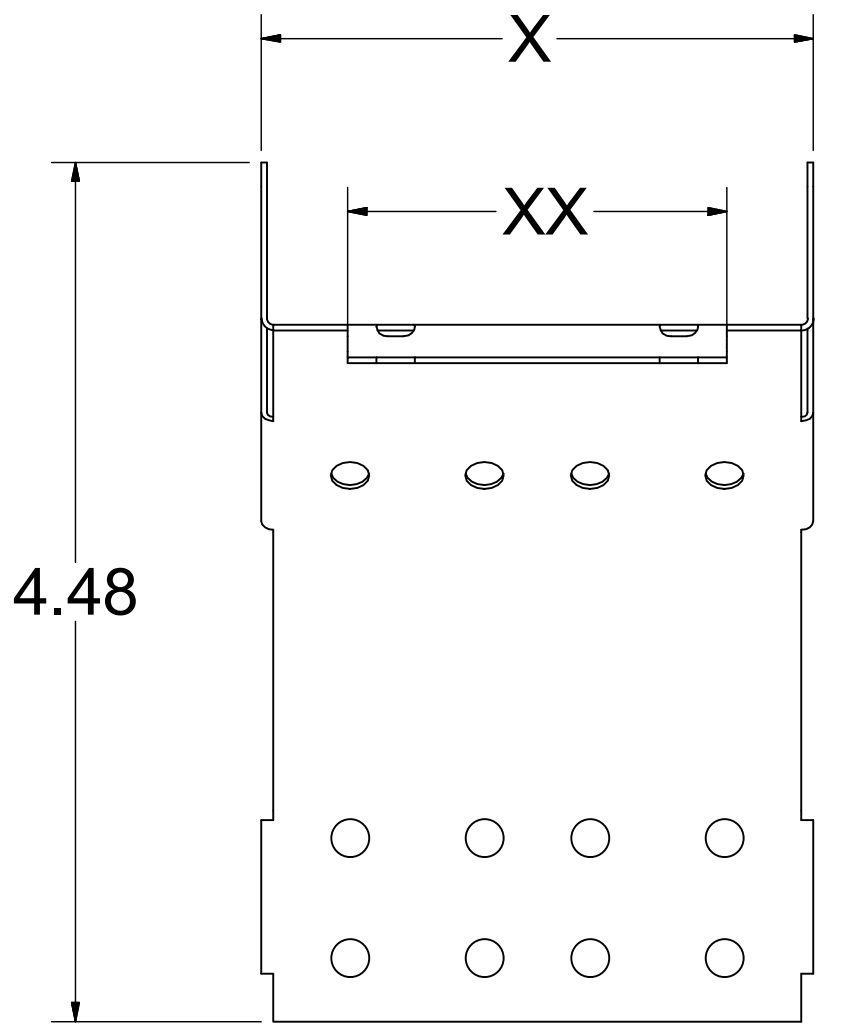
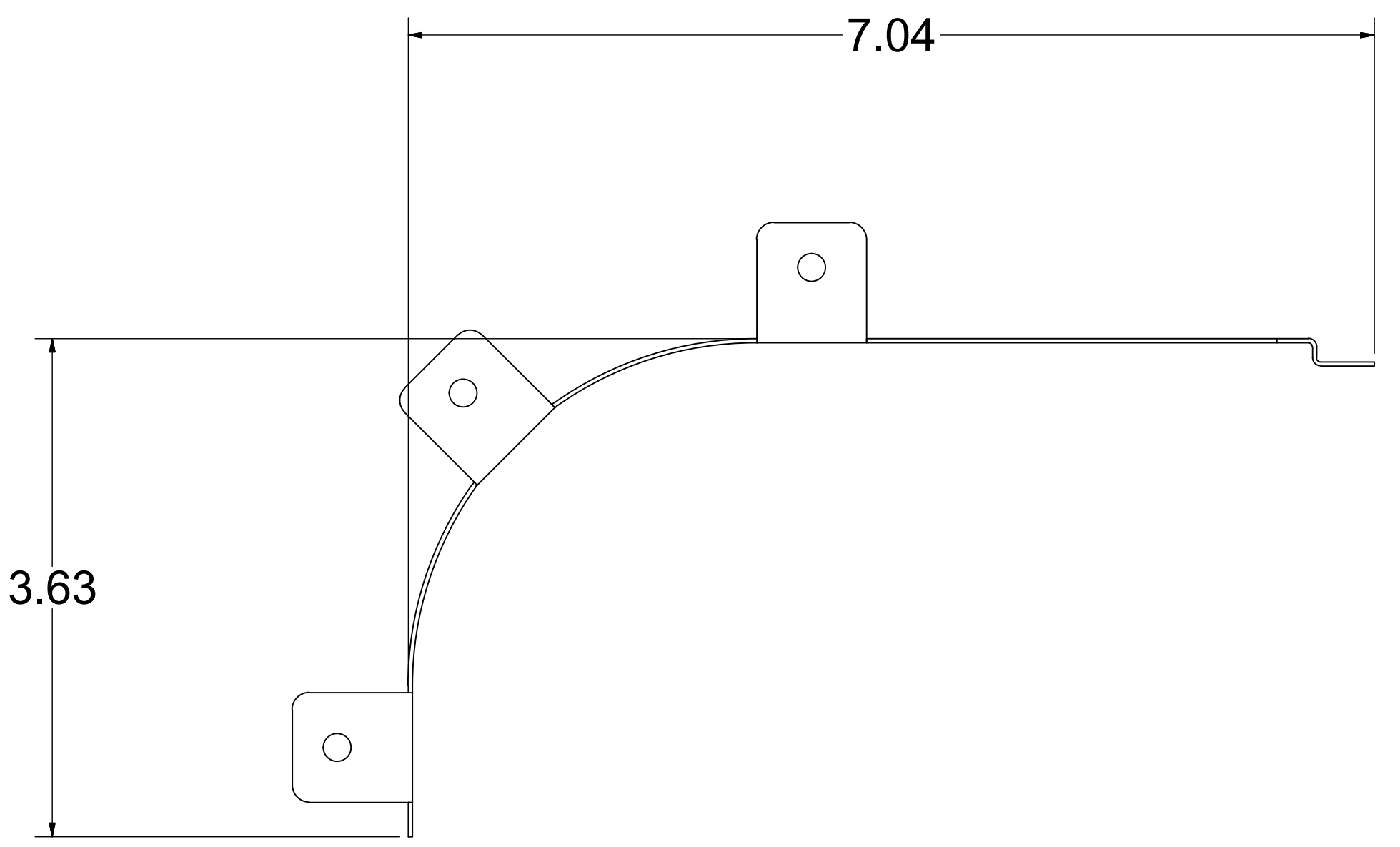


DWG NO:					TO - "X"	
REVISION						
ZONE	REV	DESCRIPTION	ECN	DATE	APPR	ENGR
	A	INITIAL RELEASE	10-0000	3/18/2010	RJ	WW



PN #	DESCRIPTION	DEVELOPED LENGTH	DIM " X "	DIM " XX "
TO-2	2" CABLE DROP OUT WATERFALL	3.515 x 9.680	1.875	0.975
TO-3	3" CABLE DROP OUT WATERFALL	4.515 x 9.680	2.875	1.957
TO-425	4-1/4" CABLE DROP OUT WATERFALL	5.765 x 9.680	4.125	3.225
TO-5	5" CABLE DROP OUT WATERFALL	6.515 x 9.680	4.875	3.975
TO-6	6" CABLE DROP OUT WATERFALL	7.515 x 9.680	5.875	4.975

<p>CONFIDENTIAL</p> <p>THIS DRAWING IS THE SOLE PROPERTY OF, AND IS PROPRIETARY TO, CABLE MANAGEMENT SOLUTIONS, INC. THIS DRAWING AND/OR INFORMATION SHALL BE KEPT CONFIDENTIAL, AND MAY NOT BE REPRODUCED, MODIFIED, DISCLOSED, OR MADE AVAILABLE TO OTHERS, WITHOUT THE EXPRESS WRITTEN CONSENT OF SNAKETRAY.</p>	MATERIAL	ALL TOLERANCES IF NOT INDICATED ARE:			<p>CABLE MANAGEMENT SOLUTIONS, INC.</p> <p>291 SKIP LANE</p> <p>BAY SHORE, NY 11706</p>
	GALVANIZED STEEL SHEET	FRACTIONS= ± 1/32TH .XX= ± .015 .XXX= ± .005 ANGLULAR= ± 1/2 DEGREE			
<p>PATENTS</p> <p>SNAKETRAY, SNAKE CANYON, WALL SNAKE AND LADDER SNAKE PRODUCTS ARE COVERED BY ONE OR MORE OF THE FOLLOWING PATENTS: #6,637,704, #6,637,165, #6,463,704, #6,460,812, #6,449,912, #6,361,000, #6,347,493, #6,019,323, #5,953,870, #5,839,702 AND AUS #737,813.</p>	FINISH	DRAWN BY	DATE	TITLE:	
	-	M Rudz	10/25/2010	CABLE DROP OUT WATERFALL	
<p>TREATMENT</p> <p>NONE</p>	NONE	CHECKED BY	DATE	SIZE	USED ON
		B. RENZ	3/12/2014	D	CM 201
		ENGINEERING	DATE	SCALE	RELEASE DATE
		R. JETTE	3/12/2014	NONE	
				DWG NO	REV. NO
				TO - "X"	A
			SHEET	1 OF 1	