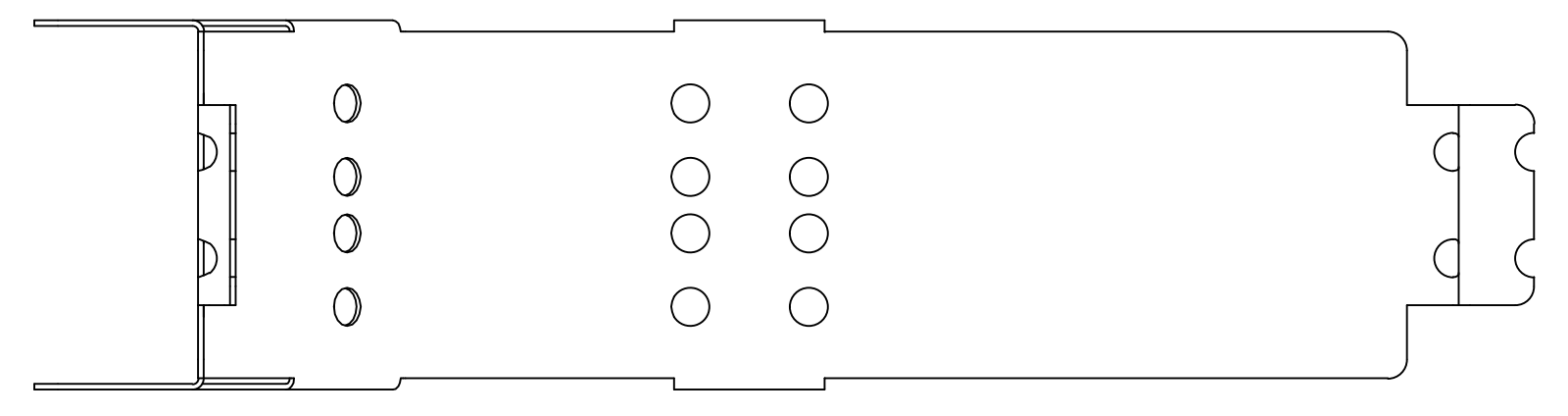
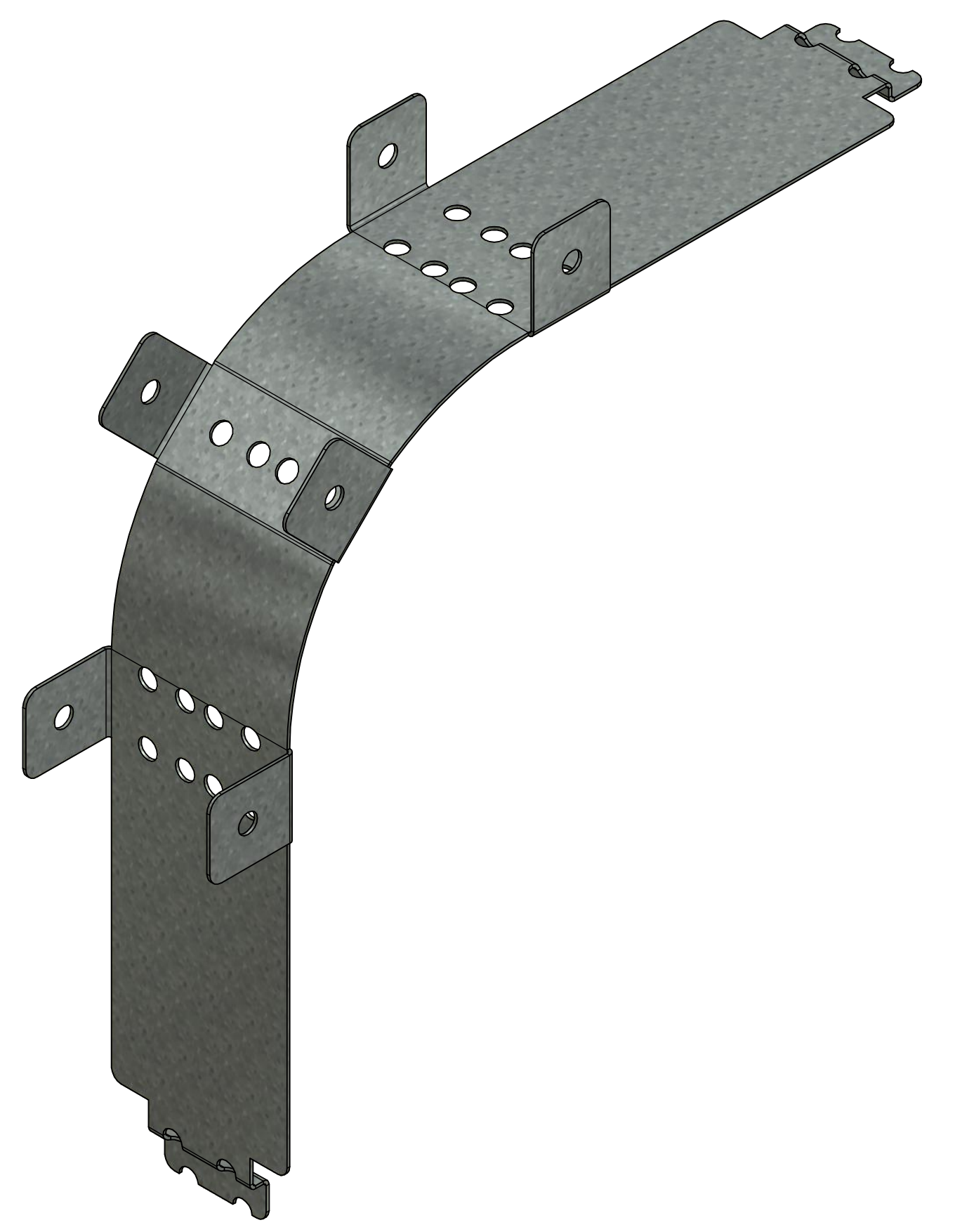
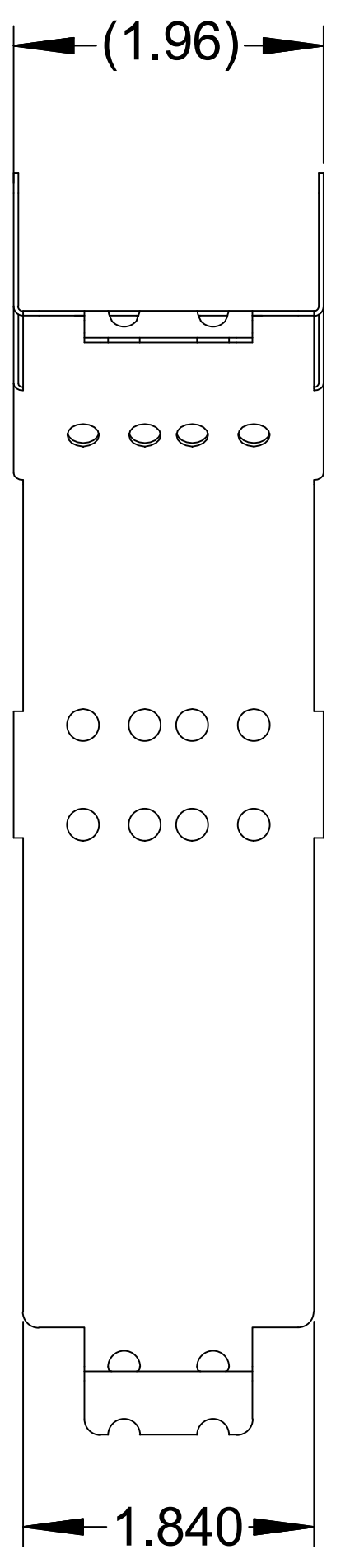
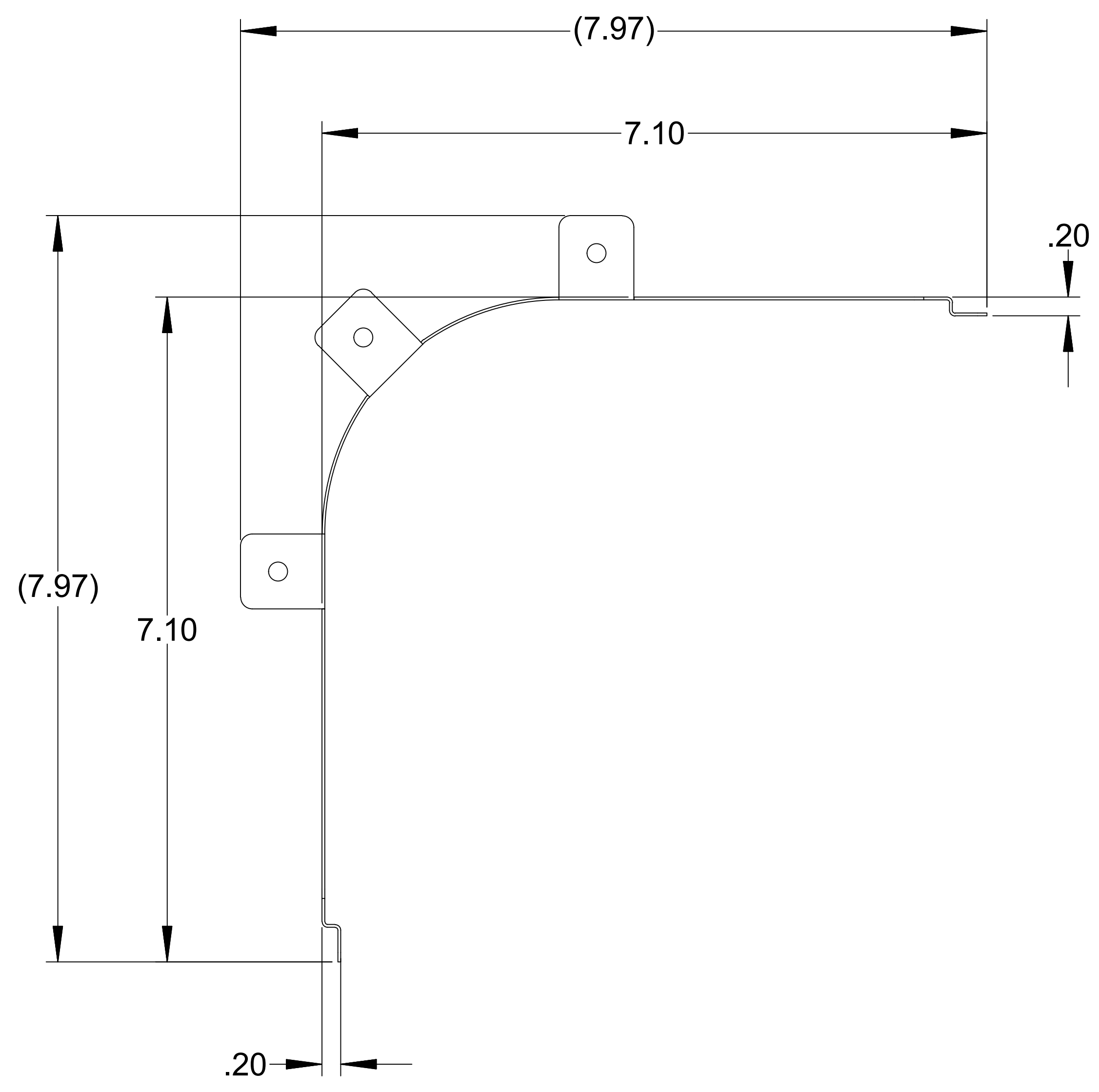


DWG NO: TF-101LS						
REVISION						
ZONE	REV	DESCRIPTION	ECN	DATE	APPR	ENGR
	A	INITIAL RELEASE	10-0000	3/18/2010	RJ	WW



**CONFIDENTIAL**  
THIS DRAWING IS THE SOLE PROPERTY OF, AND IS PROPRIETARY TO, CABLE MANAGEMENT SOLUTIONS, INC. THIS DRAWING AND/OR INFORMATION SHALL BE KEPT CONFIDENTIAL, AND MAY NOT BE REPRODUCED, MODIFIED, DISCLOSED, OR MADE AVAILABLE TO OTHERS, WITHOUT THE EXPRESS WRITTEN CONSENT OF SNAKETRAY.

**PATENTS**  
SNAKETRAY, SNAKE CANYON, WALL SNAKE AND LADDER SNAKE PRODUCTS ARE COVERED BY ONE OR MORE OF THE FOLLOWING PATENTS: #6,637,704, #6,637,165, #6,463,704, #6,460,812, #6,449,912, #6,361,000, #6,347,493, #6,019,323, #5,953,870, #5,839,702 AND AUS #737,813.

MATERIAL	GALVANIZED
FINISH	-
TREATMENT	NONE

ALL TOLERANCES IF NOT INDICATED ARE: FRACTIONS= ± 1/32TH .XX= ± .015 .XXX= ± .005 ANGULAR= ± 1/2 DEGREE	
DRAWN BY	DATE
W. WEST	10/28/2010
CHECKED BY	DATE
E. RENZ	10/14/2011
ENGINEERING	DATE
R. JETTE	10/14/2011



**CABLE MANAGEMENT SOLUTIONS, INC.**  
291 SKIP LANE  
BAY SHORE, NY 11706

TITLE: 101 SERIES TURNING FENCE - LOW SNAKE			
SIZE	USED ON	DWG NO	
D	101 SERIES	TF-101LS	
SCALE	RELEASE DATE	SHEET	REV. NO
NONE		1 OF 1	A