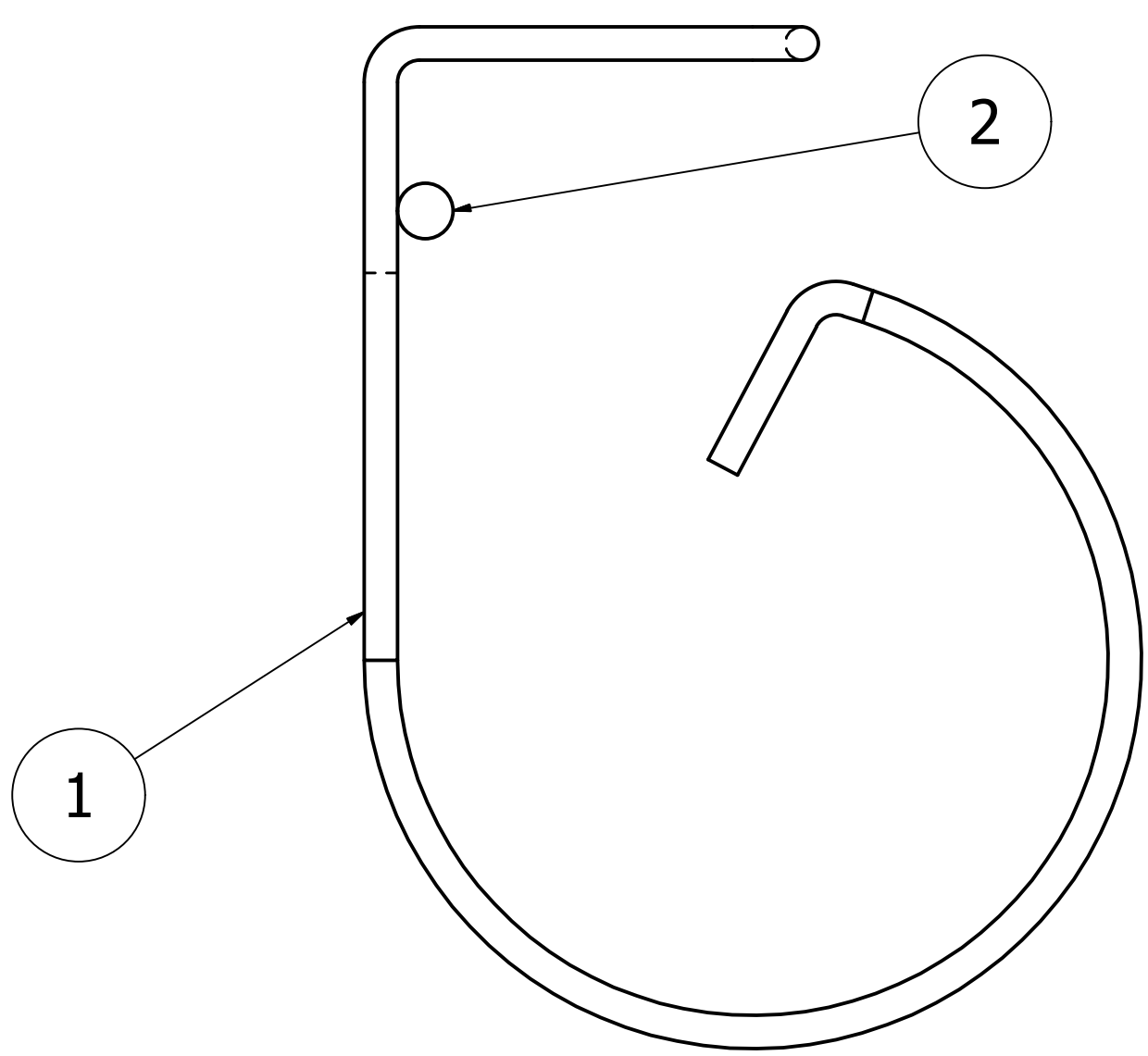
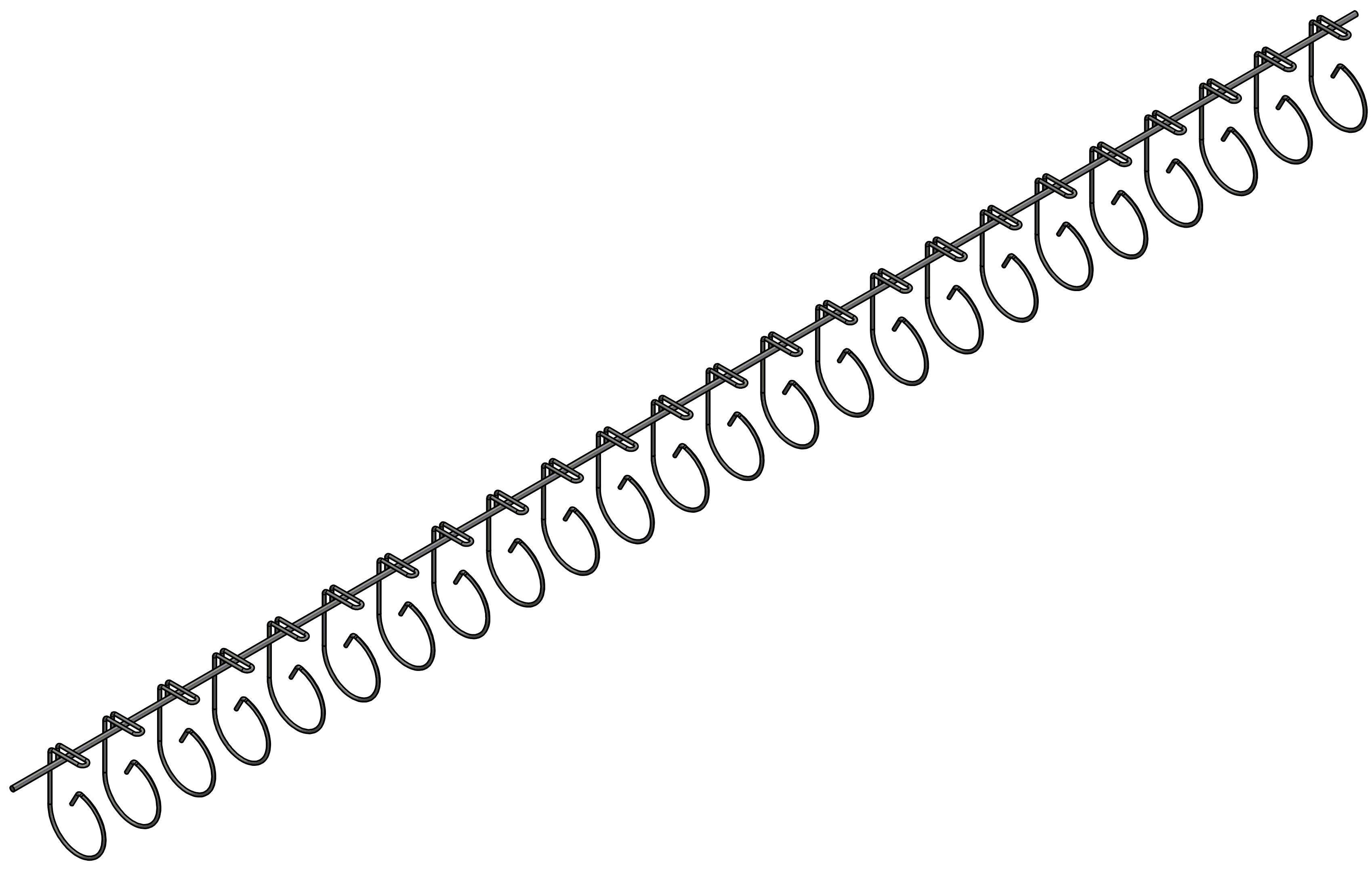
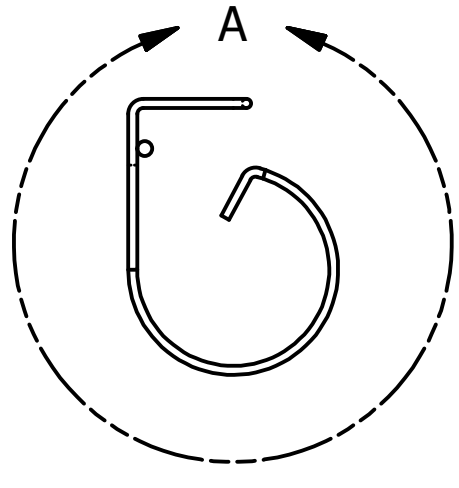
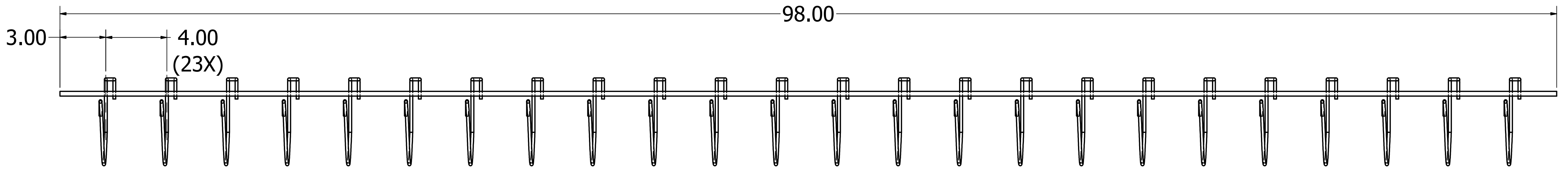


DWG NO: CM 454-4-8-G						
REVISION						
ZONE	REV	DESCRIPTION	ECN	DATE	APPR	ENGR
	A	INITIAL RELEASE	17-0000	3/23/17	RJ	WW



DETAIL A  
SCALE 1/1



ITEM		QTY	PART NUMBER	DESCRIPTION
1	24	PF 454-4-G	454 SERIES 4" HOOP	
2	1	PF 201/501-SPINE-G	.312 DIA X 98" LONG SPINE WIRE	

<p><b>CONFIDENTIAL</b> THIS DRAWING IS THE SOLE PROPERTY OF, AND IS PROPRIETARY TO, CABLE MANAGEMENT SOLUTIONS, INC. THIS DRAWING AND/OR INFORMATION SHALL BE KEPT CONFIDENTIAL, AND MAY NOT BE REPRODUCED, MODIFIED, DISCLOSED, OR MADE AVAILABLE TO OTHERS, WITHOUT THE EXPRESS WRITTEN CONSENT OF SNAKETRAY.</p> <p><b>PATENTS</b> SNAKETRAY, SNAKE CANYON, WALL SNAKE AND LADDER SNAKE PRODUCTS ARE COVERED BY ONE OR MORE OF THE FOLLOWING PATENTS: #6,637,704, #6,637,165, #6,463,704, #6,460,812, #6,449,912, #6,361,000, #6,347,493, #6,019,323, #5,953,870, #5,839,702 AND AUS #737,813.</p>	MATERIAL	ALL TOLERANCES IF NOT INDICATED ARE: FRACTIONS= ± 1/32TH .XX= ± .015 .XXX= ± .005 ANGULAR= ± 1/2 DEGREE			<b>CABLE MANAGEMENT SOLUTIONS, INC.</b> 291 SKIP LANE BAY SHORE, NY 11706
	FINISH	GALVANIZED	DRAWN BY: W. WEST DATE: 3/23/2017 CHECKED BY: B. RENZ DATE: 3/23/2017 ENGINEERING: R. JETTE DATE: 3/23/2017		
	TREATMENT	NONE	SCALE: NONE	RELEASE DATE: 3/23/2017	SHEET: 1 OF 1