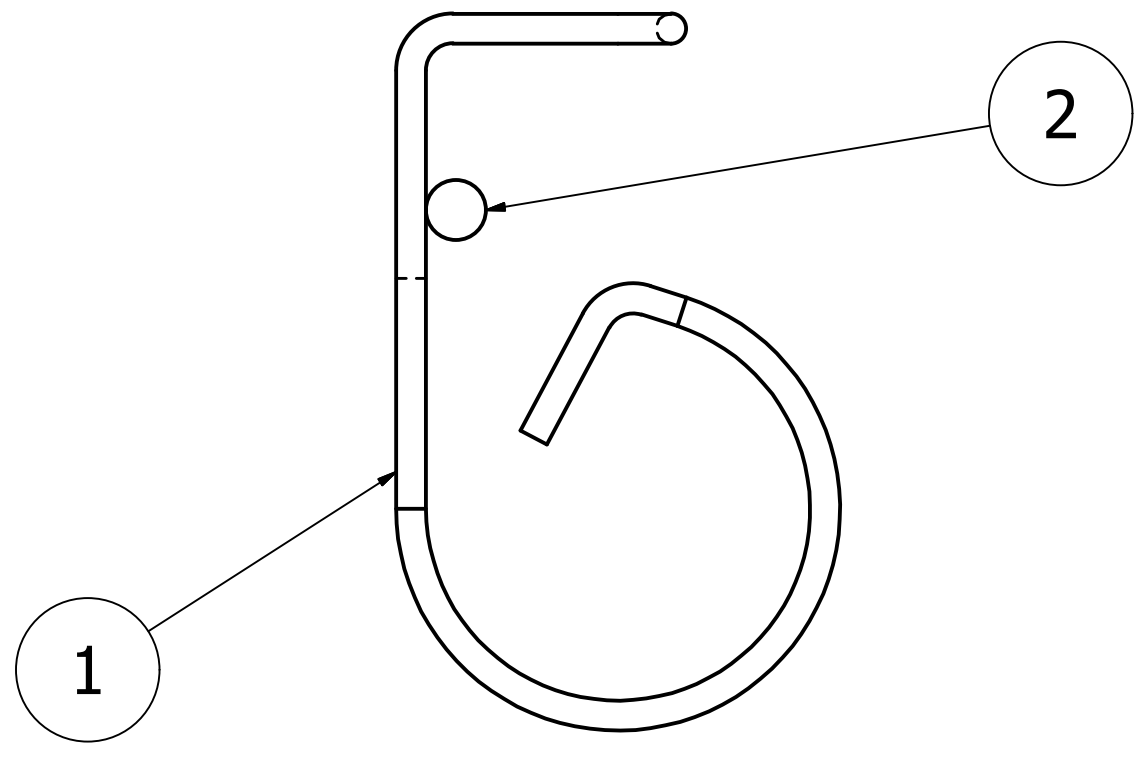
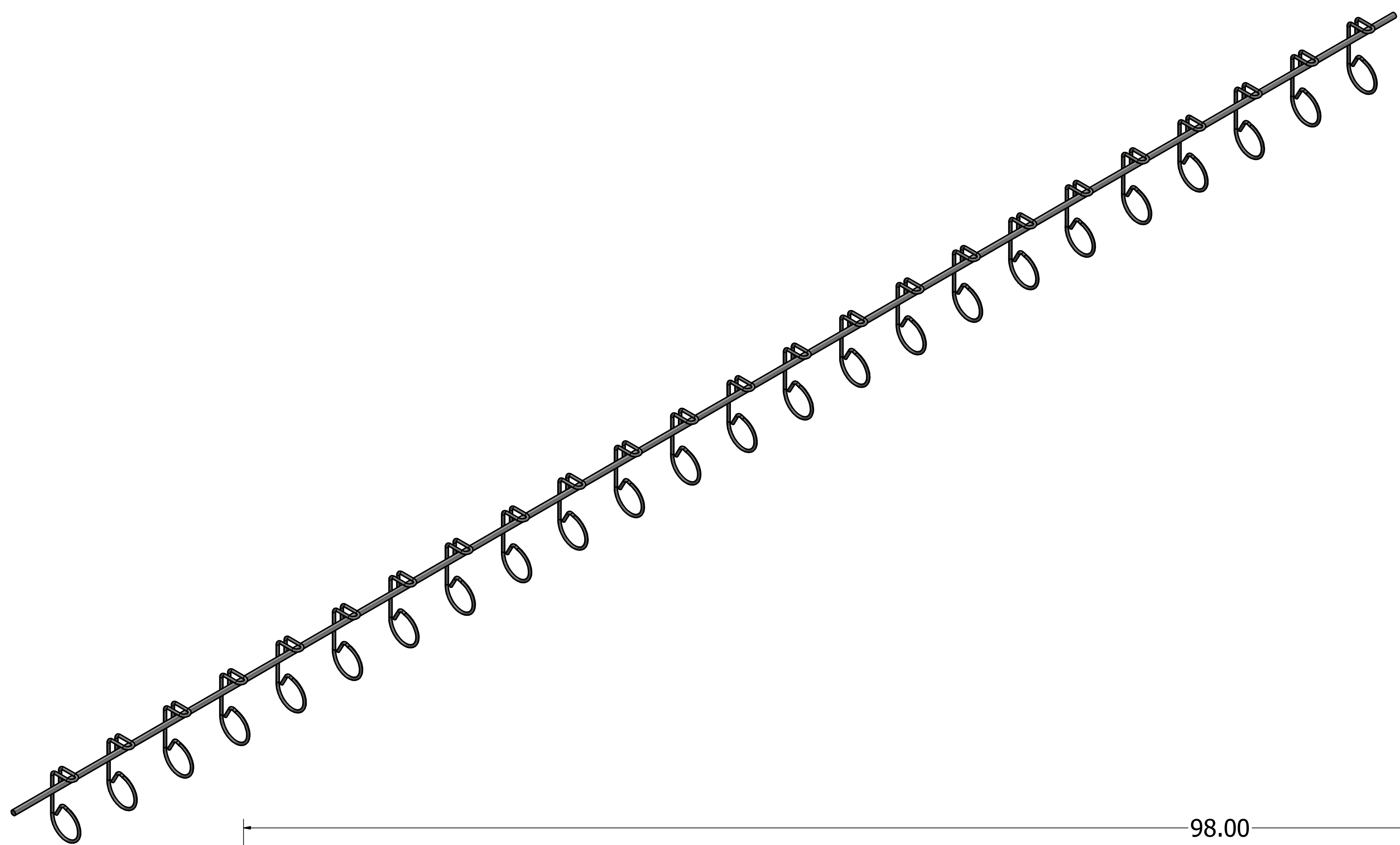
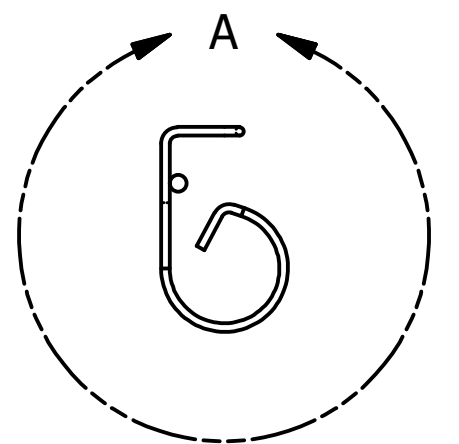
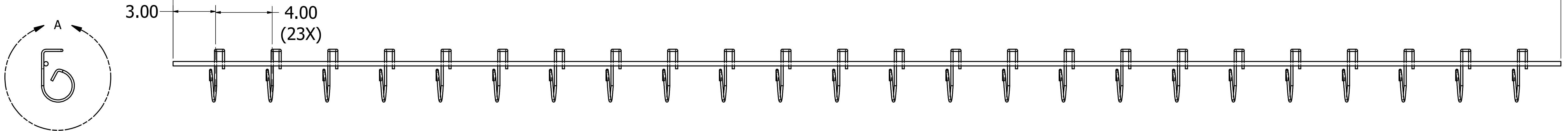


DWG NO: CM 454-2-8-G						
REVISION						
ZONE	REV	DESCRIPTION	ECN	DATE	APPR	ENGR
	A	INITIAL RELEASE	17-0000	3/23/17	RJ	WW



DETAIL A
SCALE 1/1



PARTS LIST					
ITEM	QTY	PART NUMBER	DESCRIPTION		
1	24	PF 454-2-G	454 SERIES 2" HOOP		
2	1	PF 201/501-SPINE-G	.312 DIA X 98" LONG SPINE WIRE		
CONFIDENTIAL THIS DRAWING IS THE SOLE PROPERTY OF, AND IS PROPRIETARY TO, CABLE MANAGEMENT SOLUTIONS, INC. THIS DRAWING AND/OR INFORMATION SHALL BE KEPT CONFIDENTIAL, AND MAY NOT BE REPRODUCED, MODIFIED, DISCLOSED, OR MADE AVAILABLE TO OTHERS, WITHOUT THE EXPRESS WRITTEN CONSENT OF SNAKETRAY.		MATERIAL GALVANIZED	ALL TOLERANCES IF NOT INDICATED ARE: FRACTIONS= ± 1/32TH .XX= ± .015 .XXX= ± .005 ANGLULAR= ± 1/2 DEGREE		CABLE MANAGEMENT SOLUTIONS, INC. 291 SKIP LANE BAY SHORE, NY 11706
PATENTS SNAKETRAY, SNAKE CANYON, WALL SNAKE AND LADDER SNAKE PRODUCTS ARE COVERED BY ONE OR MORE OF THE FOLLOWING PATENTS: #6,637,704, #6,637,165, #6,463,704, #6,460,812, #6,449,912, #6,361,000, #6,347,493, #6,019,323, #5,953,870, #5,839,702 AND AUS #737,813.		FINISH NONE	DRAWN BY W. WEST DATE 3/23/2017	TITLE: 2" UNIVERSAL SNAKETRAY, 8' LONG	
		TREATMENT NONE	CHECKED BY B. RENZ DATE 3/23/2017	SIZE D	USED ON CM 454-2-8-G
			ENGINEERING R.JETTE DATE 3/23/2017	SCALE NONE	RELEASE DATE 3/23/2017
				SHEET 1 OF 1	REV. NO A