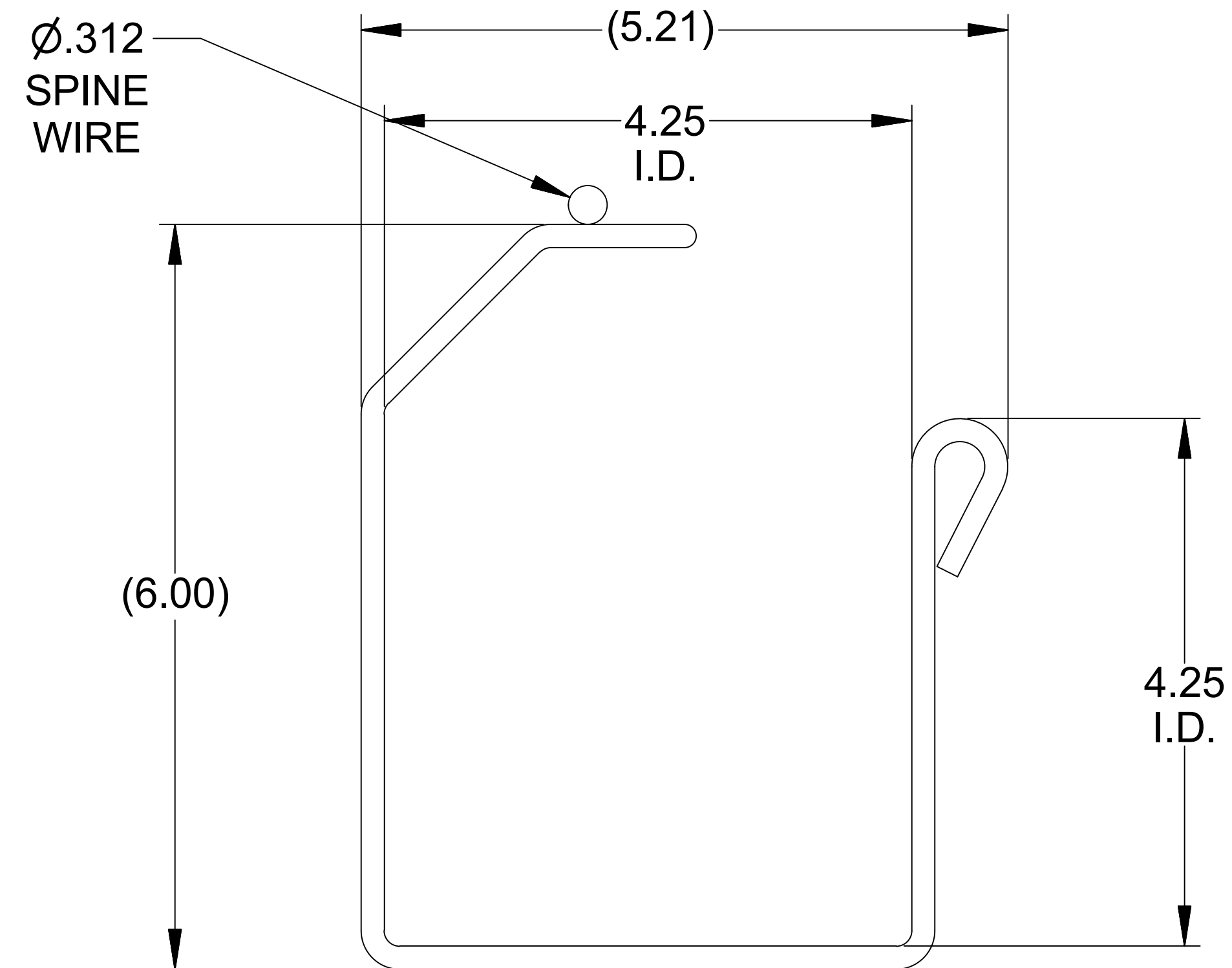
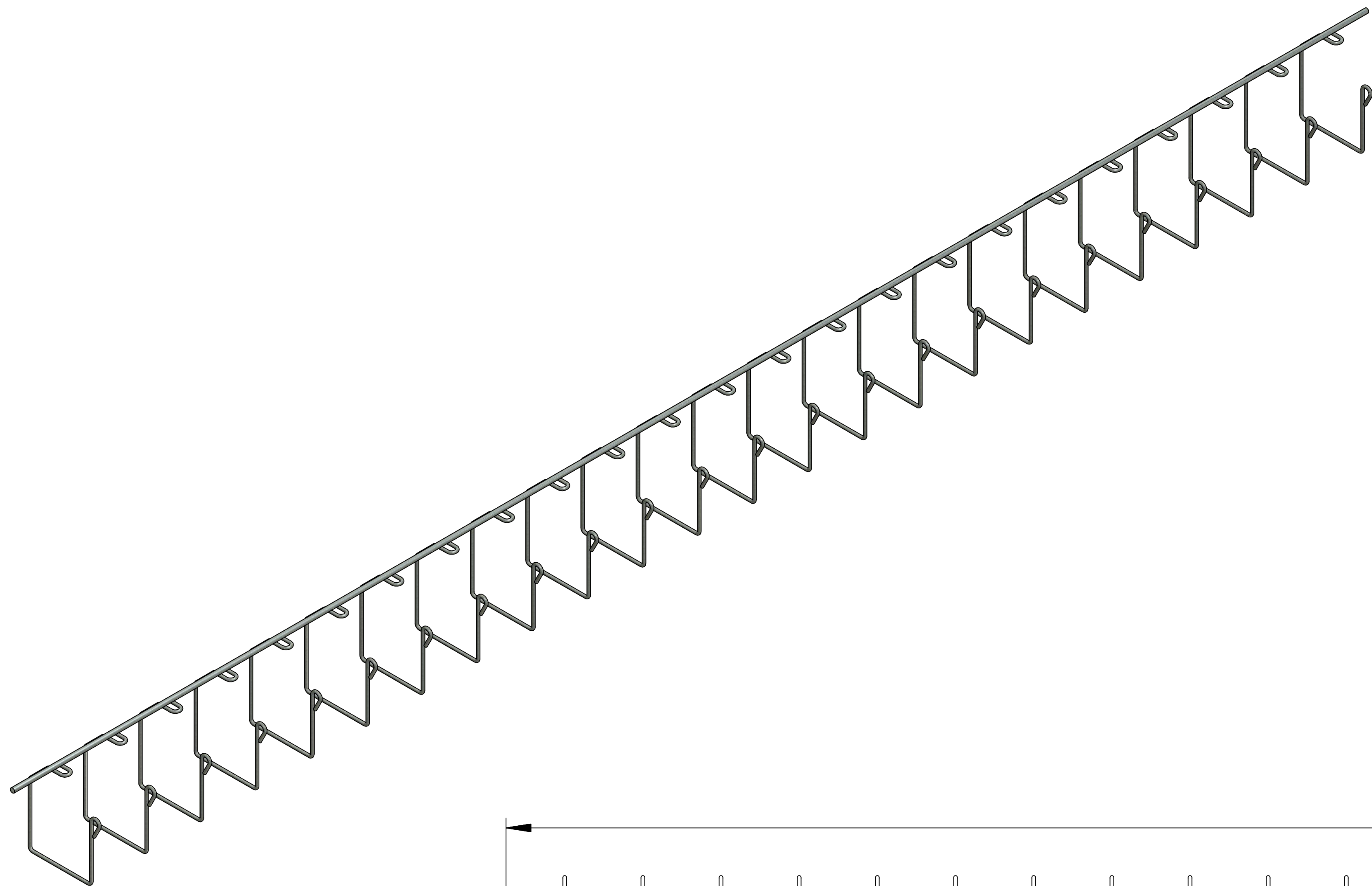
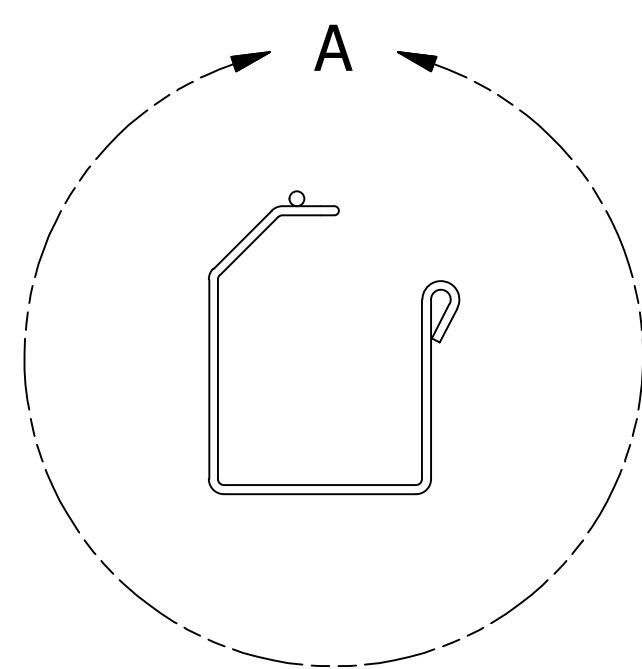
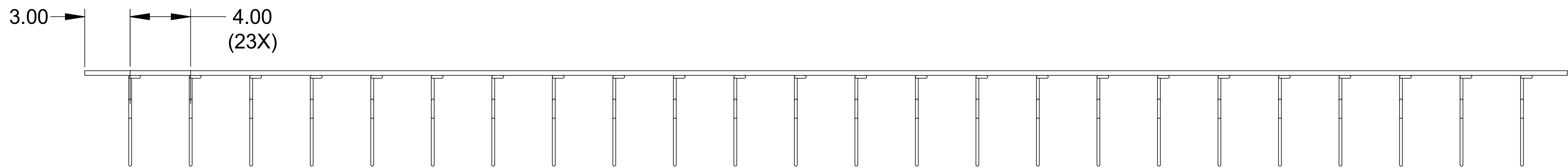
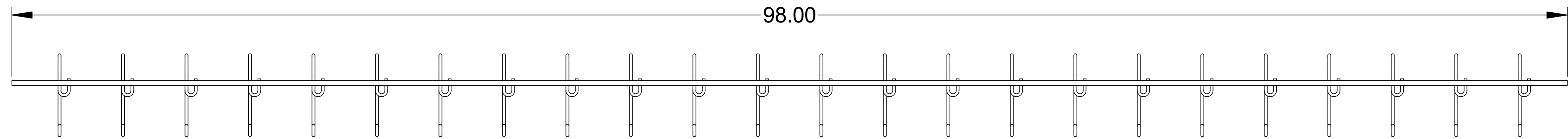



DWG NO: CM201-425-8					
REVISION					
ZONE	REV	DESCRIPTION	ECN	DATE	APPROVED
	A	INITIAL RELEASE	10-0000	3/8/2010	RJ
					ENGINEER WW



DETAIL A  
SCALE 1 : 1



<p>CONFIDENTIAL</p> <p>THIS DRAWING IS THE SOLE PROPERTY OF, AND IS PROPRIETARY TO, CABLE MANAGEMENT SOLUTIONS, INC. THIS DRAWING AND/OR INFORMATION SHALL BE KEPT CONFIDENTIAL, AND MAY NOT BE REPRODUCED, MODIFIED, DISCLOSED, OR MADE AVAILABLE TO OTHERS, WITHOUT THE EXPRESS WRITTEN CONSENT OF SNAKETRAY.</p>	MATERIAL	ALL TOLERANCES IF NOT INDICATED ARE: FRACTIONS= ± 1/32TH .XX= ± .015 .XXX= ± .005 ANGULAR= ± 1/2 DEGREE		 <p><b>CABLE MANAGEMENT SOLUTIONS, INC.</b> 291 SKIP LANE BAY SHORE, NY 11706</p>		
	GALVANIZED	FINISH	-			
<p>PATENTS</p> <p>SNAKETRAY, SNAKE CANYON, WALL SNAKE AND LADDER SNAKE PRODUCTS ARE COVERED BY ONE OR MORE OF THE FOLLOWING PATENTS: #6,637,704, #6,637,165, #6,463,704, #6,460,812, #6,449,912, #6,361,000, #6,347,493, #6,019,323, #5,953,870, #5,839,702 AND AUS #737,813.</p>	TREATMENT	NONE		TITLE:		
					UNIVERSAL MOUNT TRAY, 4.25"x 4.25"	
		DRAWN BY	DATE	SIZE	USED ON	DWG NO
		W. WEST	3/8/2010	D	201 SERIES	CM201-425-8
		CHECKED BY	DATE	SCALE	RELEASE DATE	SHEET
		E. RENZ	10/17/2011	NONE		1 OF 1
		ENGINEERING	DATE			REV. NO
		R. JETTE	10/14/2011			