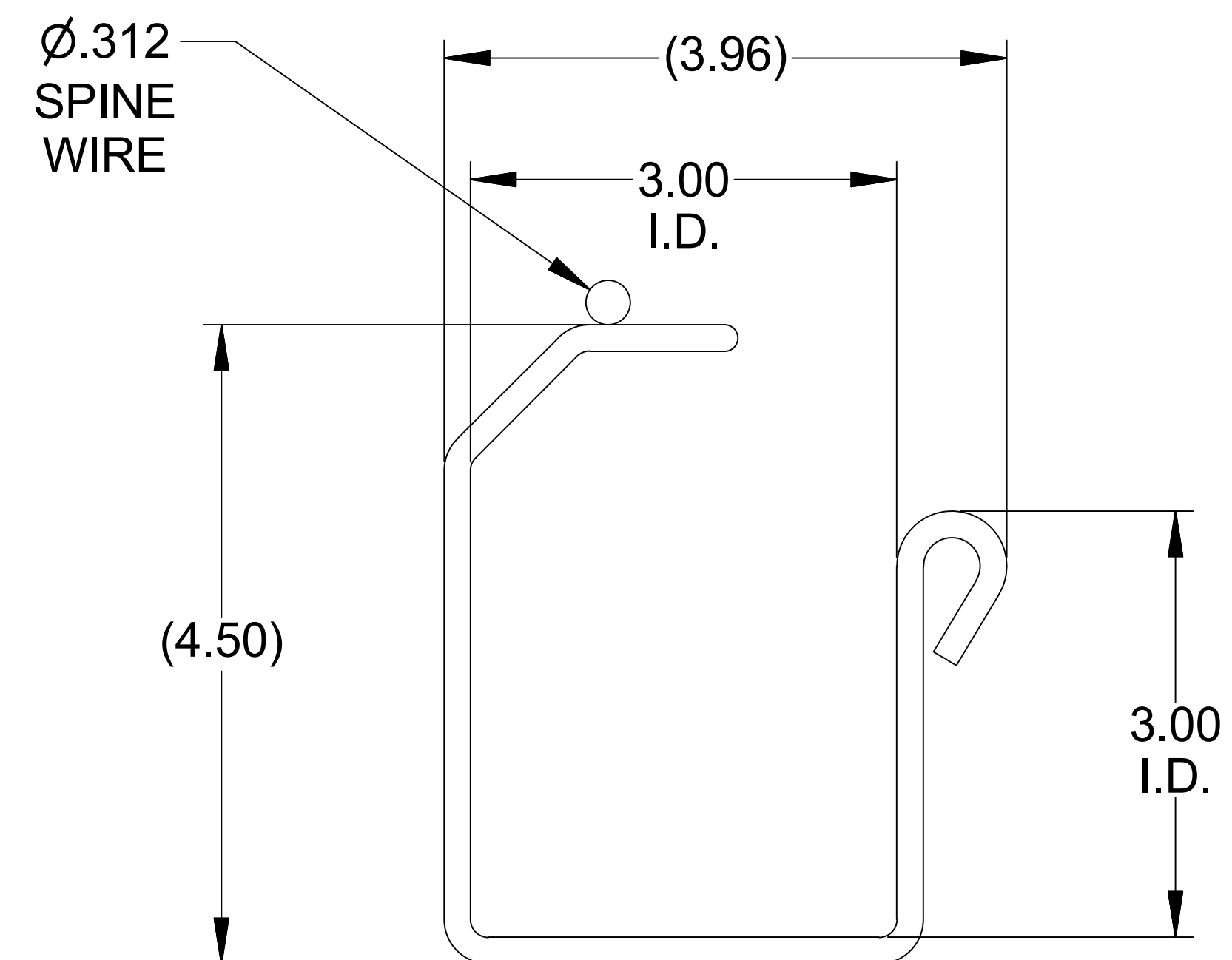
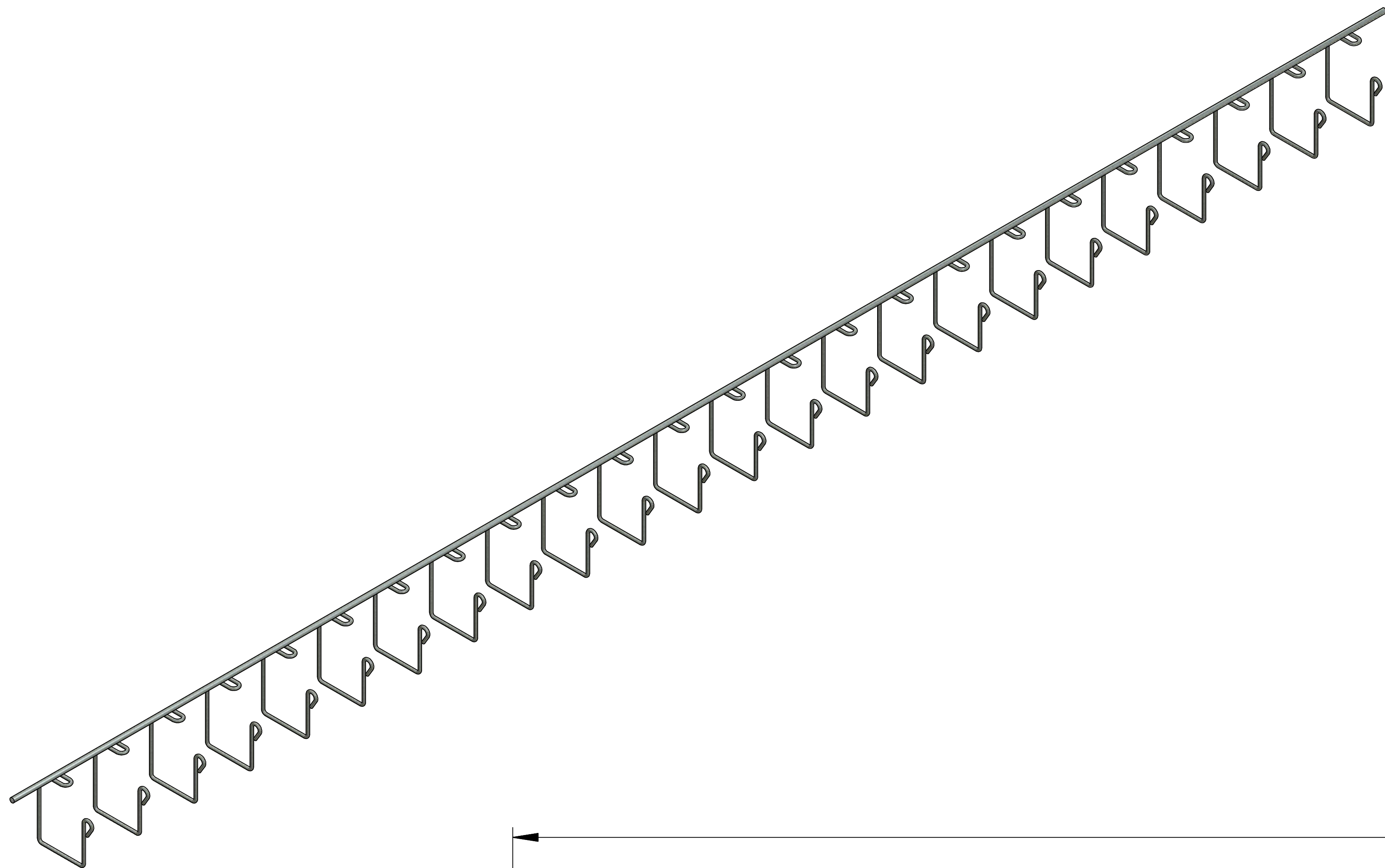
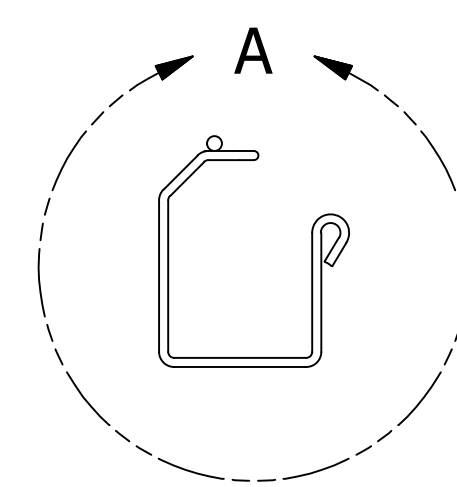
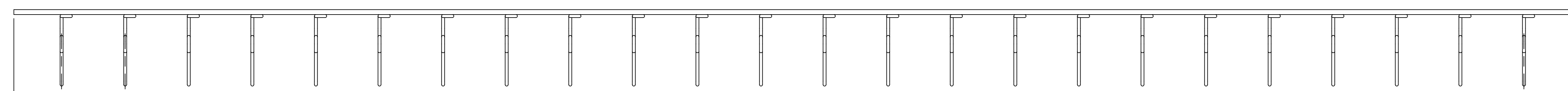
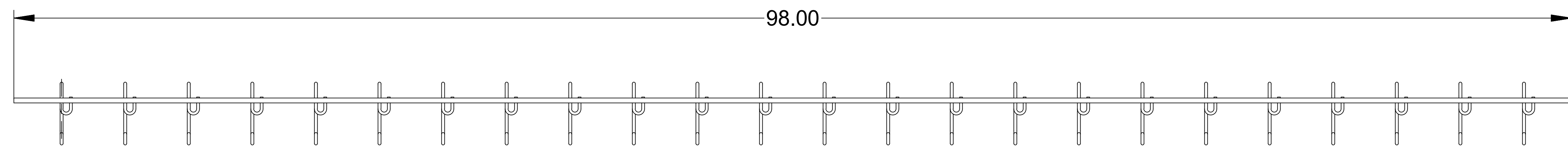


DWG NO: CM 201-3-8					
REVISION					
ZONE	REV	DESCRIPTION	ECN	DATE	APPROVED
	A	INITIAL RELEASE	10-0000	3/8/2010	RJ
					ENGINEER WW



DETAIL A
SCALE 1 : 1

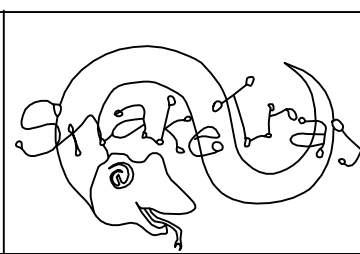


CONFIDENTIAL
THIS DRAWING IS THE SOLE PROPERTY OF, AND IS PROPRIETARY TO, CABLE MANAGEMENT SOLUTIONS, INC. THIS DRAWING AND/OR INFORMATION SHALL BE KEPT CONFIDENTIAL, AND MAY NOT BE REPRODUCED, MODIFIED, DISCLOSED, OR MADE AVAILABLE TO OTHERS, WITHOUT THE EXPRESS WRITTEN CONSENT OF SNAKETRAY.

PATENTS
SNAKETRAY, SNAKE CANYON, WALL SNAKE AND LADDER SNAKE PRODUCTS ARE COVERED BY ONE OR MORE OF THE FOLLOWING PATENTS: #6,637,704, #6,637,165, #6,463,704, #6,460,812, #6,449,912, #6,361,000, #6,347,493, #6,019,323, #5,953,870, #5,839,702 AND AUS #737,813.

MATERIAL	GALVANIZED	
FINISH	-	
TREATMENT	NONE	

ALL TOLERANCES IF NOT INDICATED ARE: FRACTIONS= ± 1/32TH .XX= ± .015 .XXX= ± .005 ANGLULAR= ± 1/2 DEGREE	
DRAWN BY	DATE
W. WEST	3/8/2010
CHECKED BY	DATE
E. RENZ	10/14/2011
ENGINEERING	DATE
R. JETTE	10/14/2011



CABLE MANAGEMENT SOLUTIONS, INC.
291 SKIP LANE
BAY SHORE, NY 11706

TITLE: UNIVERSAL MOUNT TRAY, 3" X 3"			
SIZE	USED ON	DWG NO	
D	201 SERIES	CM 201-3-8	
SCALE	RELEASE DATE	SHEET	REV. NO
NONE		1 OF 1	A