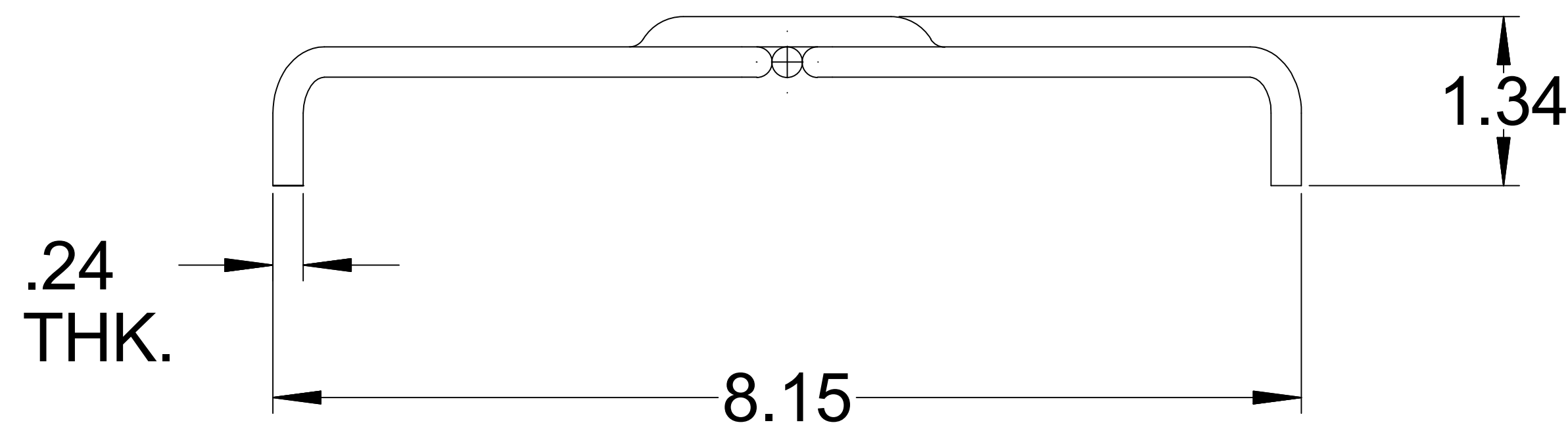
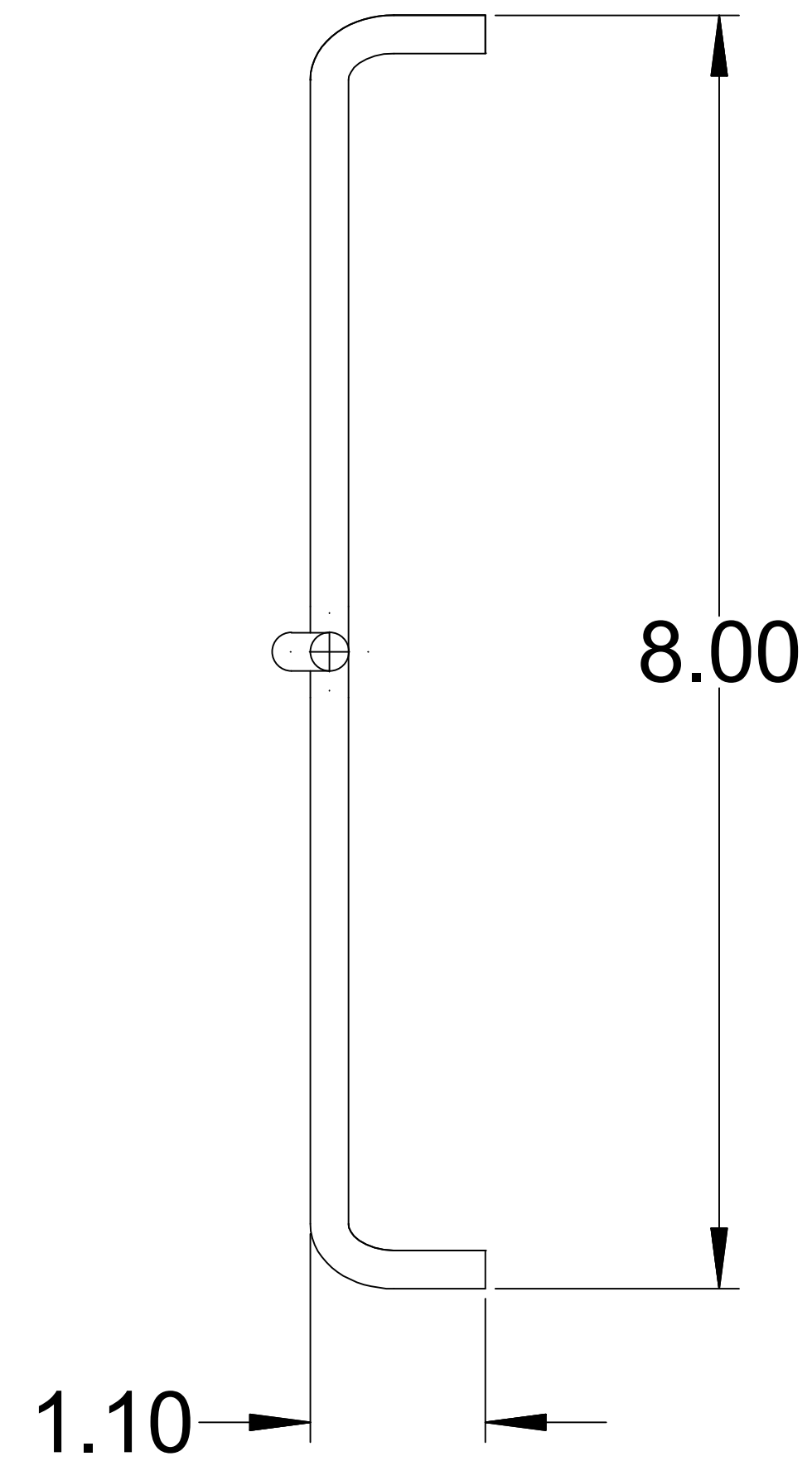
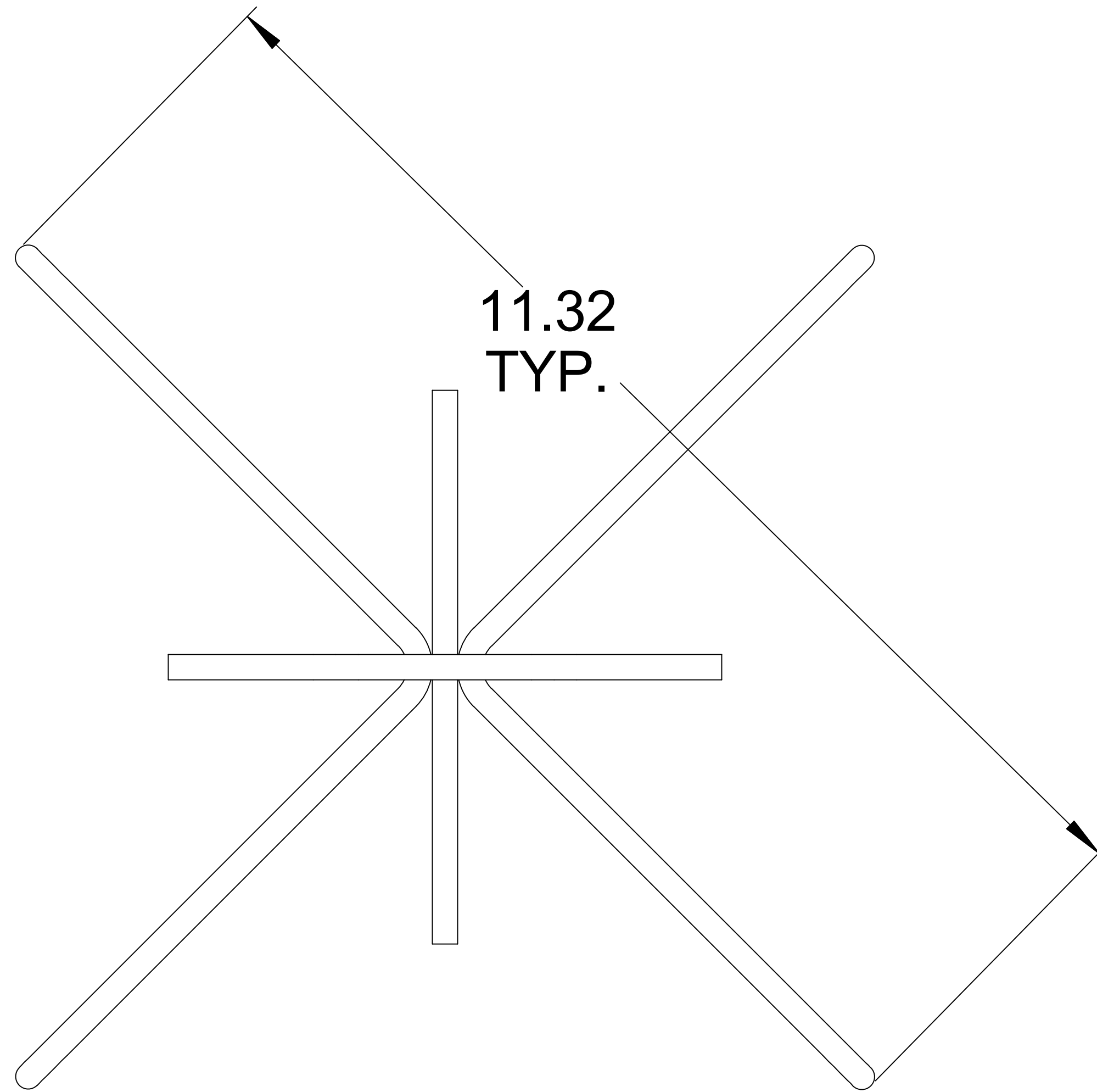
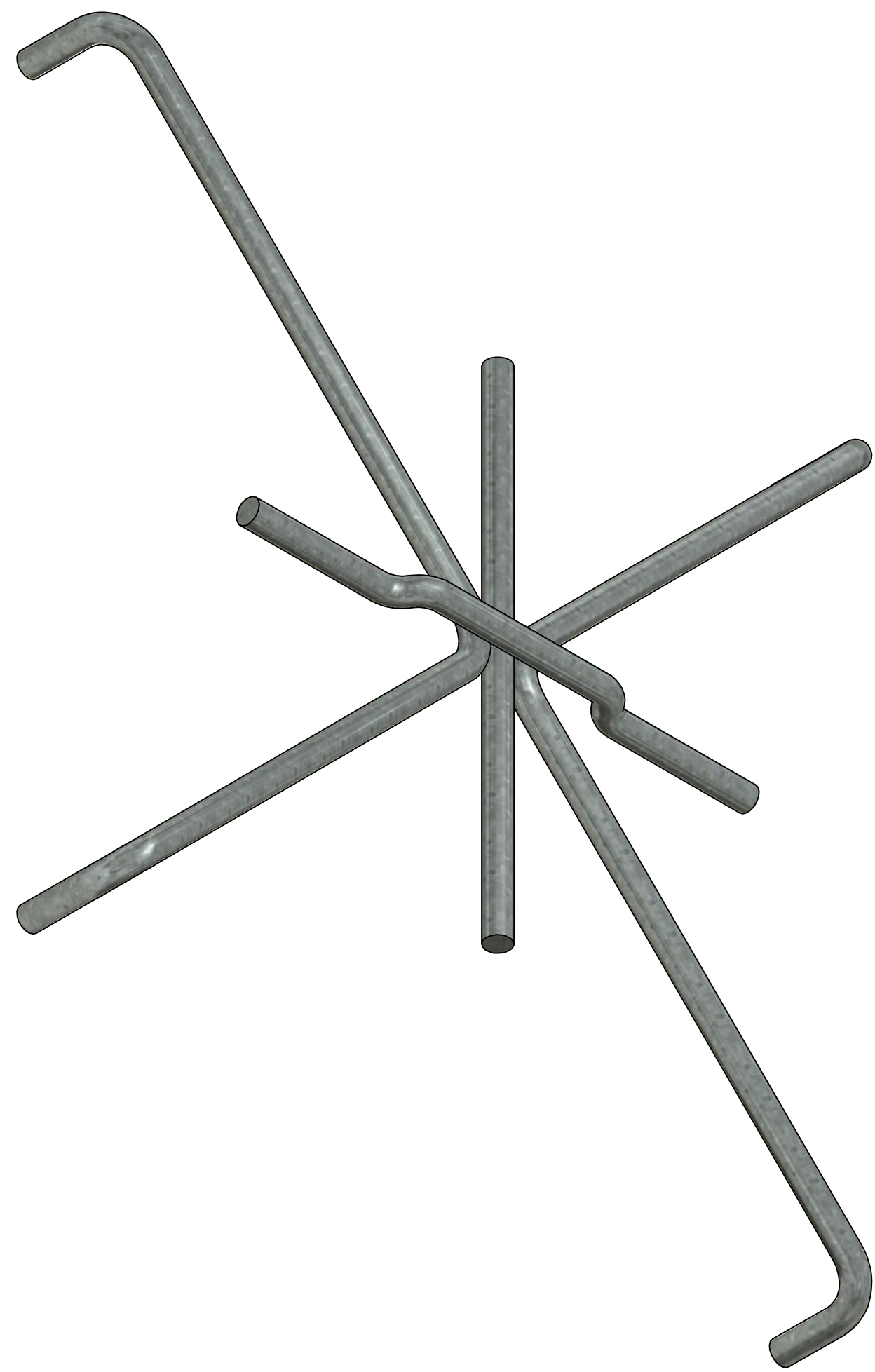


		DWG NO:		CM 0303			
		REVISION					
ZONE	REV	DESCRIPTION	ECN	DATE	APPROVED	ENGINEER	
	A	INITIAL RELEASE	10-0000	3/22/2010	RJ	WW	



CONFIDENTIAL
THIS DRAWING IS THE SOLE PROPERTY OF, AND IS PROPRIETARY TO, CABLE MANAGEMENT SOLUTIONS, INC. THIS DRAWING AND/OR INFORMATION SHALL BE KEPT CONFIDENTIAL, AND MAY NOT BE REPRODUCED, MODIFIED, DISCLOSED, OR MADE AVAILABLE TO OTHERS, WITHOUT THE EXPRESS WRITTEN CONSENT OF SNAKETRAY.

PATENTS
SNAKETRAY, SNAKE CANYON, WALL SNAKE AND LADDER SNAKE PRODUCTS ARE COVERED BY ONE OR MORE OF THE FOLLOWING PATENTS: #6,637,704, #6,637,165, #6,463,704, #6,460,812, #6,449,912, #6,361,000, #6,347,493, #6,019,323, #5,953,870, #5,839,702 AND AUS #737,813.

MATERIAL
GALVANIZED STEEL WIRE

FINISH
-

TREATMENT
NONE

ALL TOLERANCES IF NOT INDICATED ARE:
FRACTIONS= ± 1/32TH
.XX= ± .015
.XXX= ± .005
ANGLULAR= ± 1/2 DEGREE

DRAWN BY
W. WEST

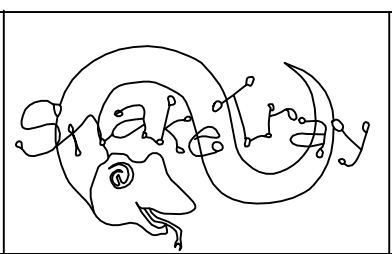
CHECKED BY
E. RENZ

ENGINEERING
R. JETTE

DATE
3/22/2010

DATE
10/13/2011

DATE
10/13/2011



CABLE MANAGEMENT SOLUTIONS, INC.
291 SKIP LANE
BAY SHORE, NY 11706

TITLE:		101 SERIES INTERSECTION, 3" X 3"	
SIZE	USED ON	DWG NO	
D	101 SERIES	CM 0303	
SCALE	RELEASE DATE	SHEET	REV. NO
NONE		1 OF 1	A