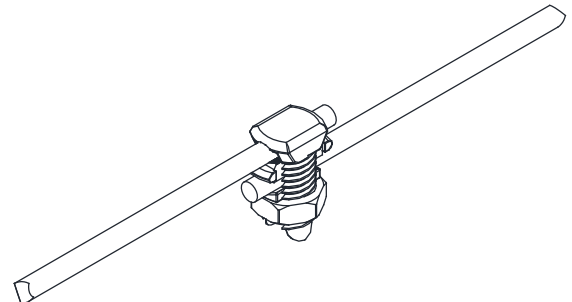
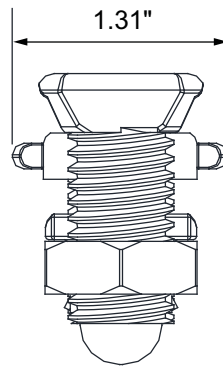
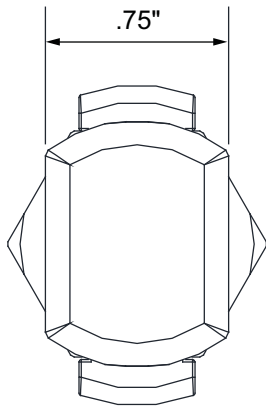
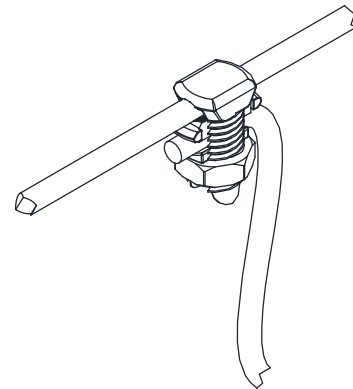
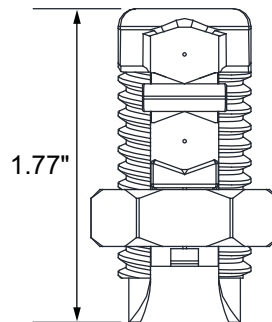
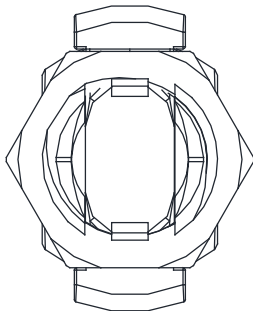


# CB-10 Connector Bolt®



Tray Connection



Ground Connection

The CB-10 provides both a mechanical and electrical connection when joining the tray sections to one another. Only one CB-10 required per connection.

For drawings of specific models, additional sizes or accessories please call us at 800.308.6788



Snake Tray® products are covered by one or more of the following patents: #6637704, #6637165, #6463704, #6460812, #6449912, #6361000, #6347493, #6019323, #6347493, #6449912, #6460812, #5953870, #5839702, #6926236, #7168212, #7959019. Foreign Patents: Australia #737813, #748160, #749488, #776643, #776644. Canada #2251732, #2319624, #2303081, #2396792. Japan #3723224. Mexico #204995, #229386, #220889. Europe #1012938, 1012937. Other Patents Pending.

**CABLE MANAGEMENT SOLUTIONS, INC.**

**CABLE MANAGEMENT AND POWER DISTRIBUTION**

291 SKIP LANE ♦ BAY SHORE, NEW YORK 11706 USA ♦ TEL: (800)308-6788 (631)674-0004

Document No. MKTG-0034 ♦ Revised August 2012 ♦ © 2012 Snake Tray

**Made in the USA**