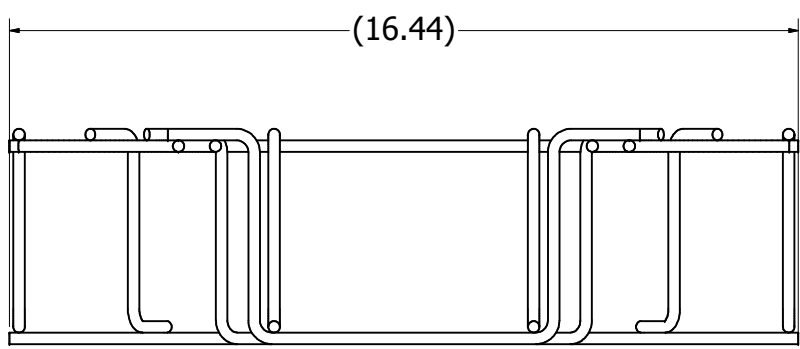
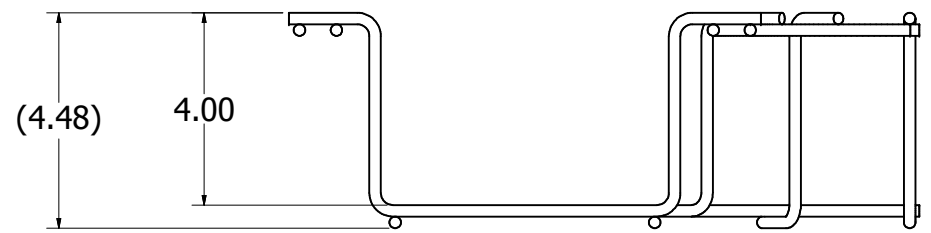
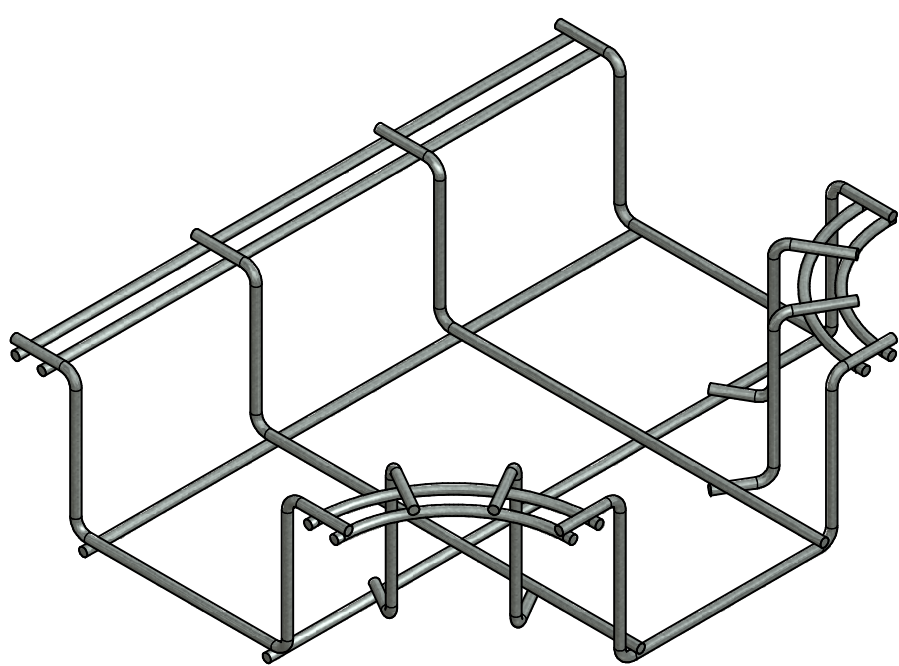
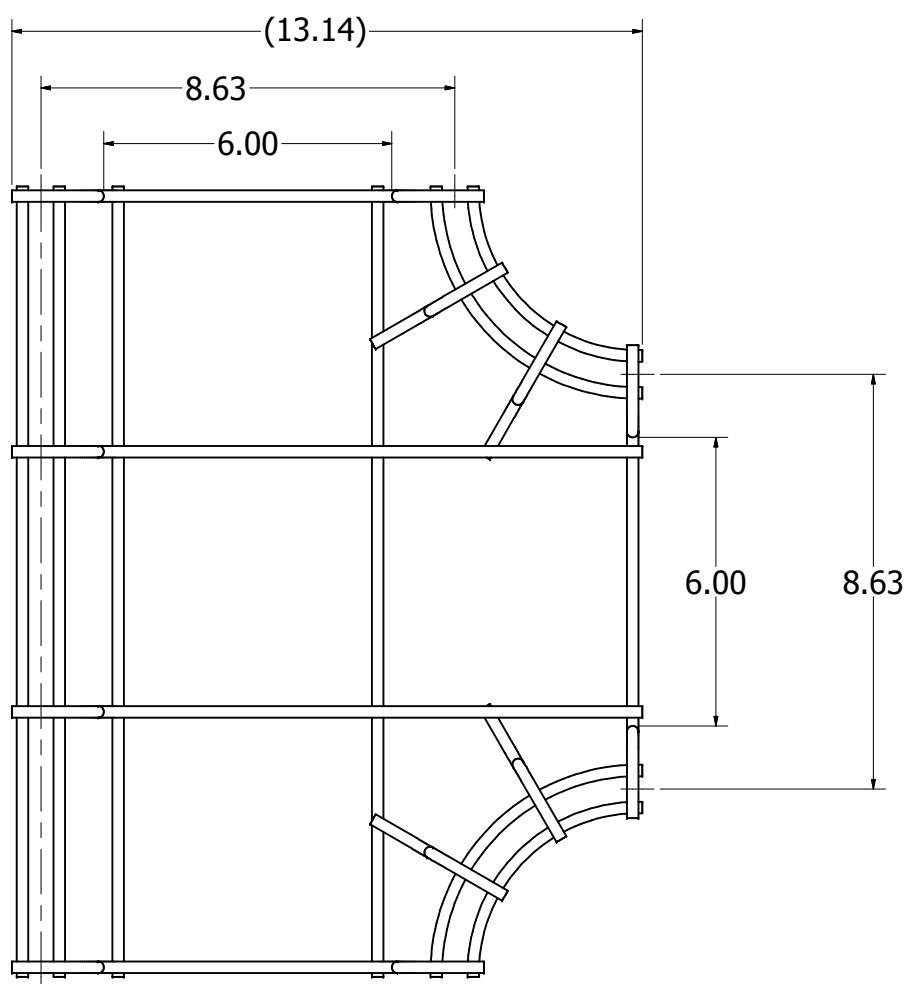



801 SERIES			DWG NO: CM 801-4-6-T			
REVISION						
ZONE	REV	DESCRIPTION	ECN	DATE	APPR	ENGR
	A	INITIAL RELEASE	11-0000	9/26/11	RJ	WW



<p><b>CONFIDENTIAL</b></p> <p>THIS DRAWING IS THE SOLE PROPERTY OF, AND IS PROPRIETARY TO, CABLE MANAGEMENT SOLUTIONS, INC. THIS DRAWING AND/OR INFORMATION SHALL BE KEPT CONFIDENTIAL, AND MAY NOT BE REPRODUCED, MODIFIED, DISCLOSED, OR MADE AVAILABLE TO OTHERS, WITHOUT THE EXPRESS WRITTEN CONSENT OF SNAKETRAY.</p>	MATERIAL	ALL TOLERANCES IF NOT INDICATED ARE: FRACTIONS= ± 1/32TH .XX= ± .015 .XXX= ± .005 ANGULAR= ± 1/2 DEGREE		 <p><b>CABLE MANAGEMENT SOLUTIONS, INC.</b> 291 SKIP LANE BAY SHORE, NY 11706</p>												
	GALVANIZED STEEL WIRE	FINISH	<table border="1"> <tr> <td>DRAWN BY</td> <td>DATE</td> </tr> <tr> <td>W. WEST</td> <td>9/26/2011</td> </tr> <tr> <td>CHECKED BY</td> <td>DATE</td> </tr> <tr> <td>ENGINEERING</td> <td>DATE</td> </tr> </table>		DRAWN BY	DATE	W. WEST	9/26/2011	CHECKED BY	DATE	ENGINEERING	DATE	TITLE:			
DRAWN BY	DATE															
W. WEST	9/26/2011															
CHECKED BY	DATE															
ENGINEERING	DATE															
<p><b>PATENTS</b></p> <p>SNAKETRAY, SNAKE CANYON, WALL SNAKE AND LADDER SNAKE PRODUCTS ARE COVERED BY ONE OR MORE OF THE FOLLOWING PATENTS: #6,637,704, #6,637,165, #6,463,704, #6,460,812, #6,449,912, #6,361,000, #6,347,493, #6,019,323, #5,953,870, #5,839,702 AND AUS #737,813.</p>	TBD	MEGASNAKE, 4" X 6", T		<table border="1"> <tr> <td>SIZE</td> <td>USED ON</td> <td>DWG NO</td> </tr> <tr> <td>D</td> <td>801 SERIES</td> <td>CM 801-4-6-T</td> </tr> <tr> <td>SCALE</td> <td>RELEASE DATE</td> <td>SHEET</td> </tr> <tr> <td>NONE</td> <td></td> <td>1 OF 1</td> </tr> </table>	SIZE	USED ON	DWG NO	D	801 SERIES	CM 801-4-6-T	SCALE	RELEASE DATE	SHEET	NONE		1 OF 1
SIZE	USED ON	DWG NO														
D	801 SERIES	CM 801-4-6-T														
SCALE	RELEASE DATE	SHEET														
NONE		1 OF 1														
	NONE			REV. NO												
				A												