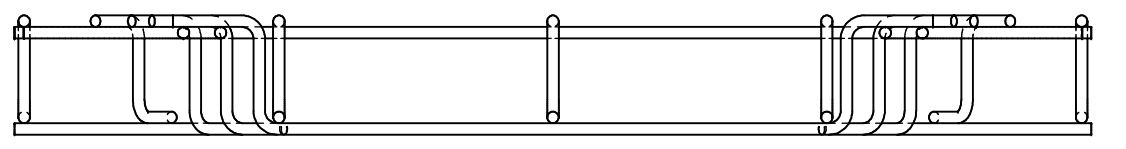
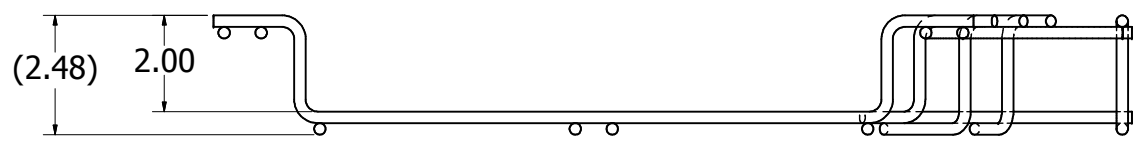
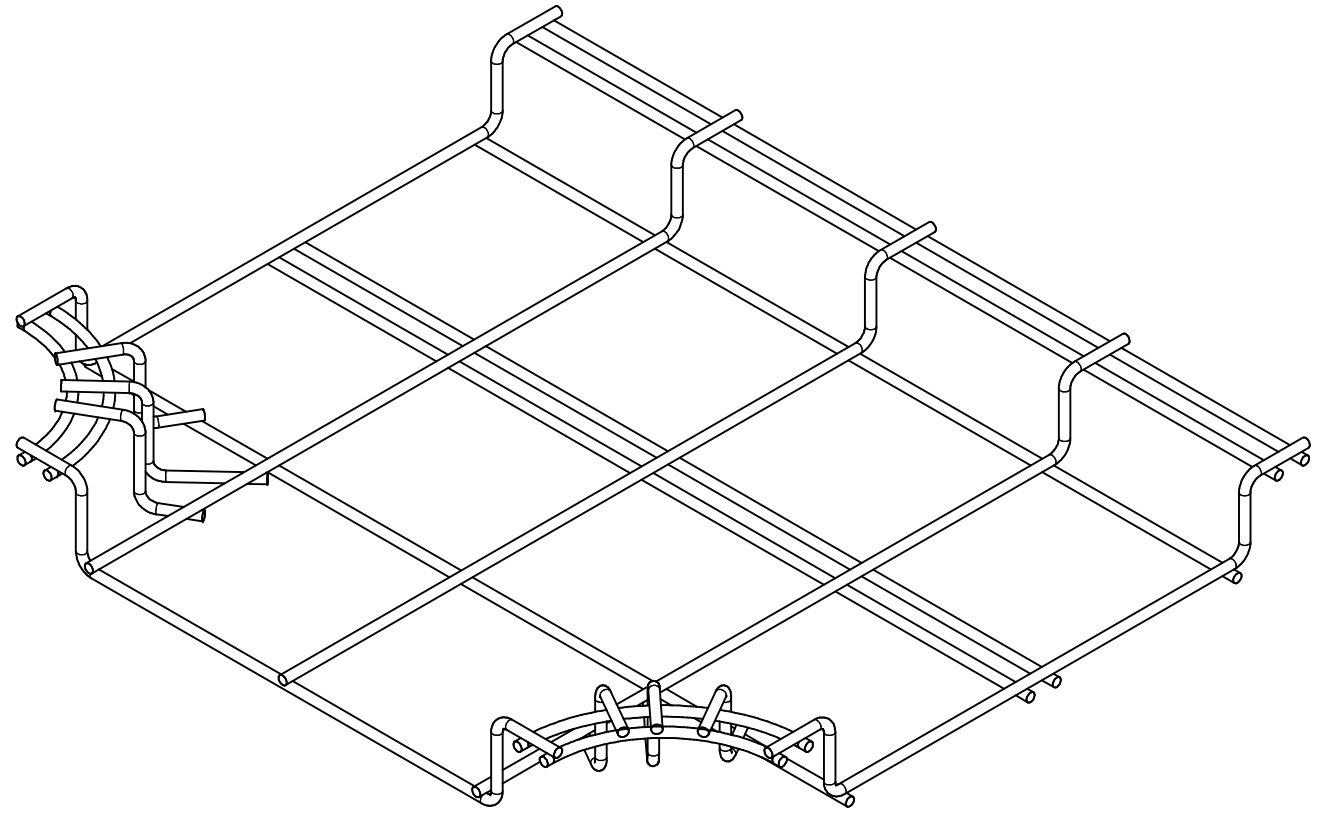
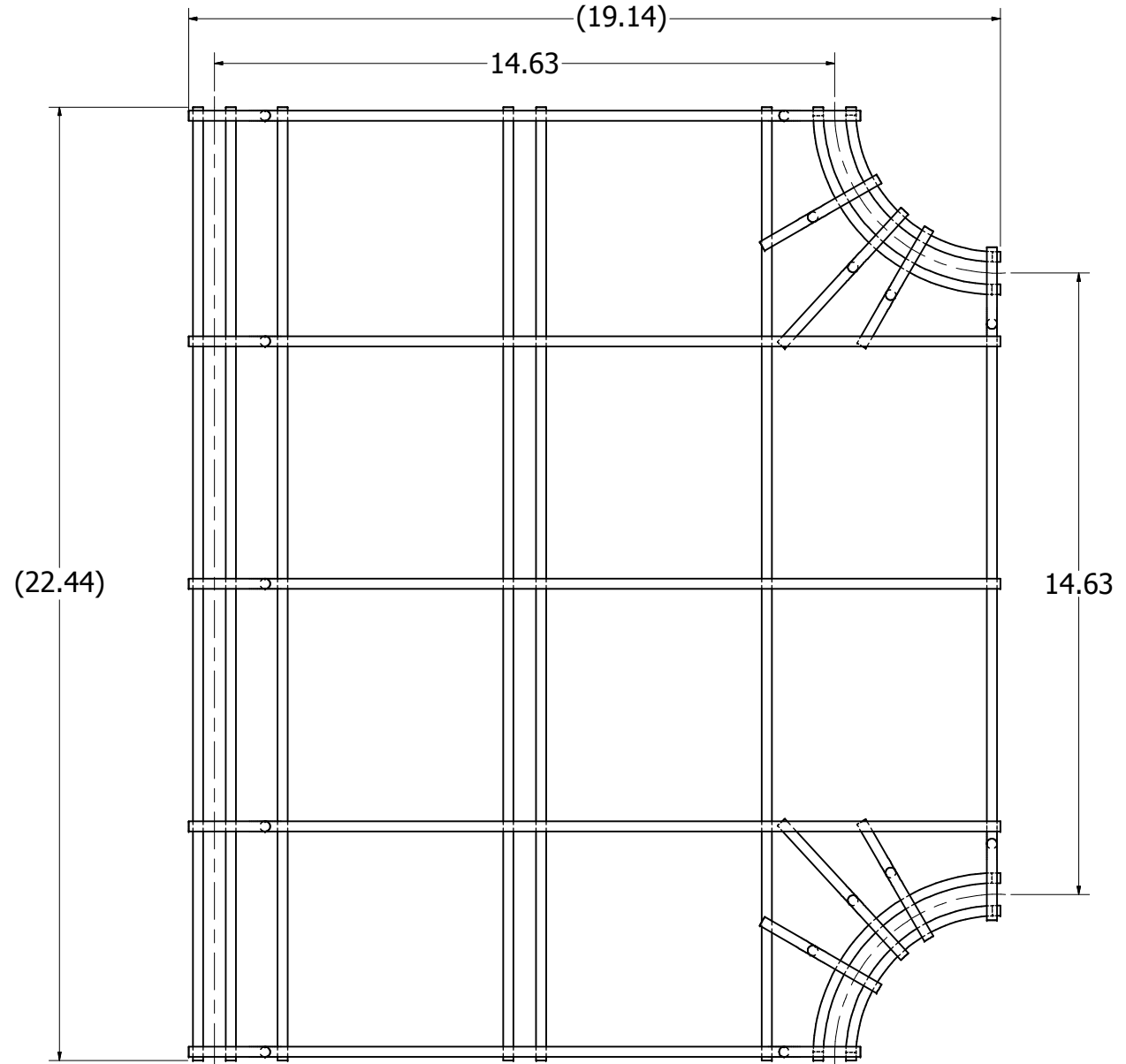



DWG NO: CM 801-2-12-T				
REVISION				
ZONE	REV	DESCRIPTION	ECN	DATE
	A	INITIAL RELEASE	10-0000	10/26/2010
			APPR	ENGR



<p>CONFIDENTIAL</p> <p>THIS DRAWING IS THE SOLE PROPERTY OF, AND IS PROPRIETARY TO, CABLE MANAGEMENT SOLUTIONS, INC. THIS DRAWING AND/OR INFORMATION SHALL BE KEPT CONFIDENTIAL, AND MAY NOT BE REPRODUCED, MODIFIED, DISCLOSED, OR MADE AVAILABLE TO OTHERS, WITHOUT THE EXPRESS WRITTEN CONSENT OF SNAKETRAY.</p>	MATERIAL	ALL TOLERANCES IF NOT INDICATED ARE: FRACTIONS= ± 1/32TH .XX= ± .015 .XXX= ± .005 ANGULAR= ± 1/2 DEGREE		 <p>CABLE MANAGEMENT SOLUTIONS, INC. 291 SKIP LANE BAY SHORE, NY 11706</p>	
	GALVANIZED STEEL WIRE	FINISH	DRAWN BY M Rudz		DATE 10/26/2010
<p>PATENTS</p> <p>SNAKETRAY, SNAKE CANYON, WALL SNAKE AND LADDER SNAKE PRODUCTS ARE COVERED BY ONE OR MORE OF THE FOLLOWING PATENTS: #6,637,704, #6,637,165, #6,463,704, #6,460,812, #6,449,912, #6,361,000, #6,347,493, #6,019,323, #5,953,870, #5,839,702 AND AUS #737,813.</p>	TBD	CHECKED BY	DATE	TITLE: 2 x 12 MEGA SNAKE T-SECTION	
	NONE	TREATMENT	ENGINEERING	DATE	SIZE D
				SCALE NONE	USED ON CM 801-2-12-T
				RELEASE DATE	DWG NO CM 801-2-12-T
				SHEET 1 OF 1	REV. NO A