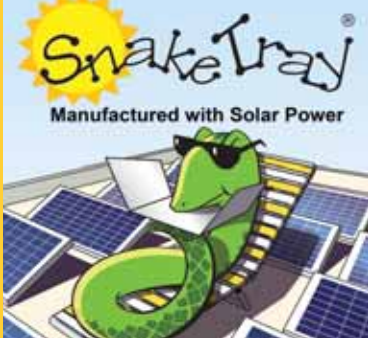


REQUIRES LESS LABOR ■ MADE
IN THE USA ■ LOWER FREIGHT COSTS ■ NESTS
TOGETHER FOR LOW COST SHIPPING ■ UNIVERSAL
MOUNTING ■ SUSPENDS WITH MESSENGER WIRE
■ NO SHARP EDGES ■ LOWER CONSTRUCTION
COSTS BY 30% ■ REQUIRES LESS LABOR ■



CABLE MANAGEMENT FOR SOLAR INSTALLATION

MADE IN THE USA ■ LOWER FREIGHT COSTS ■
NESTS TOGETHER FOR LOW
COST SHIPPING ■ UNIVERSAL MOUNTING
■ SUSPENDS WITH MESSENGER WIRE ■ NO SHARP
EDGES ■ LOWER CONSTRUCTION COSTS BY 30%
■ MADE IN THE USA ■ LOWER FREIGHT
COSTS ■ NESTS TOGETHER FOR LOW COST SHIPPING
■ UNIVERSAL MOUNTING ■ SUSPENDS WITH
MESSENGER WIRE ■ NO SHARP EDGES
■ LOWER CONSTRUCTION COSTS BY 30%
■ REQUIRES LESS LABOR ■ UNIVERSAL
MOUNTING ■ LOWER FREIGHT COSTS ■ NESTS
TOGETHER FOR LOW COST SHIPPING ■ UNIVERSAL



SNAKETRAY.COM ■ 1-800-308-6788

MOUNTING ■ SUSPENDS WITH MESSENGER WIRE

Solar Snake Tray®



Cable Management for Solar Installations that Drastically Lowers Installation Costs!



The world's only weatherproof, hand bendable cable conveyance that quickly and securely carries DC circuitry from solar panels to their terminations. Change directions easily by bending Solar Snake Tray with your own two hands.

- Built-in mounting rings for infinite mounting options
- Trays connect together with a single connector for a 15-second bonded attachment tray to tray
- Patented "lobster trap" design, ensures effortless outdoor cable installation, while trapping and protecting the cables from hurricane force winds over 120 mph
- Maintains NEC compliance, and eliminates the risk of using cable ties
- Trays stack together for lower shipping and material handling costs
- Available in Powder Coated Gray and Stainless Steel for climate specific applications



407 Series Solar Snake Tray®



SOLAR SNAKE TRAY®

HAND BENDABLE CABLE CONVEYANCE

Solar Snake Tray Hand Bendable Cable Conveyance (Other sizes available)

	Part Number	Size	Description
Side Mount 	CM 407-22-10-90-PC-GY-S6	2" x 2" x 10'	Power Coated Gray with 90° mount
	CM 407-22-10-90-SS-S6		Stainless Steel with 90° mount
Bottom Mount 	CM 407-22-10-180-PC-GY-S6	2" x 2" x 10'	Power Coated Gray with 180° mount
	CM 407-22-10-180-SS-S6		Stainless Steel with 180° mount
Side Mount 	CM 407-33-10-90-PC-GY-S6	3" x 3" x 10'	Power Coated Gray with 90° mount
	CM 407-33-10-90-SS-S6		Stainless Steel with 90° mount
Bottom Mount 	CM 407-33-10-180-PC-GY-S6	3" x 3" x 10'	Power Coated Gray with 180° mount
	CM 407-33-10-180-SS-S6		Stainless Steel with 180° mount
Side Mount 	CM 407-34-10-90-PC-GY-S6	3" x 4" x 10'	Power Coated Gray with 90° mount
	CM 407-34-10-90-SS-S6		Stainless Steel with 90° mount
Bottom Mount 	CM 407-34-10-180-PC-GY-S6	4" x 3" x 10'	Power Coated Gray with 180° mount
	CM 407-34-10-180-SS-S6		Stainless Steel with 180° mount
	CB-12-SS		Stainless Steel Connector Bolt
	CB-8	Up to #2 AWG	Tin plated grounding connector

FOR BEST RESULTS IT IS RECOMMENDED THAT SNAKE TRAY BE SUPPORTED EVERY FOUR (4) TO (5) FIVE FEET

Made in the USA

Solar Snake® Series Accessories

Solar Snake Charmer Cable Manager

Part Number	Description
CM 407-SC	Solar Snake Charmer

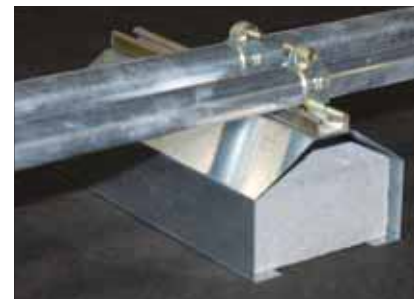
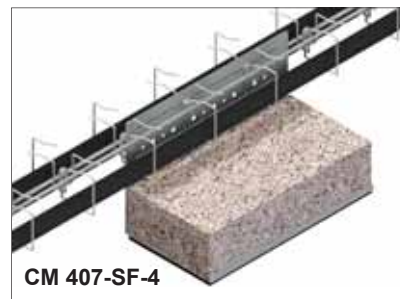
This is the long-awaited solution for inspector's request to get connectors and cables out of water and snow on rooftops. Snake Charmer snaps into place under the panel to carry connectors safely and securely at the rear of the panel. No tools required.



Snake Tray Ballasted Roof Mount Anchor for Cable Trays and Conduit

Part Number	Description
CM 407-SF-1	Universal Ballasted Roof Top Anchor
CM 407-SF-4	Ballasted Roof Top Anchor

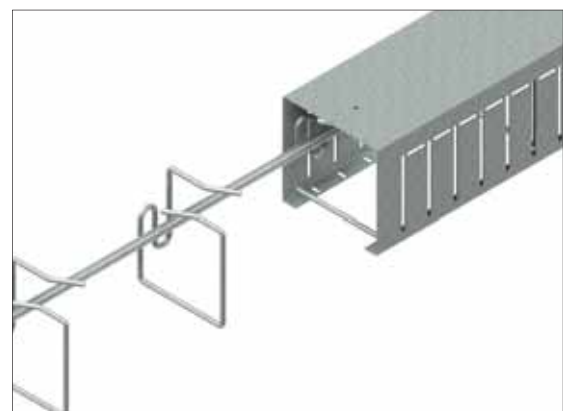
Snake Tray's ballasted roof mount anchors use common cement block ballasts to support Solar Snake cable tray, carrying PV cables from solar arrays to combiner boxes and inverters. It is also available with a strut mount system as well as many custom brackets to attach virtually any roof top ballasted component. Padding on base protects roof membranes.



Solar Snake Tray Covers

Part Number	Description
CM 407-22-C-60	Cover for 2" x 2" Solar Snake Tray
CM 407-33-C-60	Cover for 3" x 3" Solar Snake Tray
CM 407-34-C-60	Cover for 3" x 4" Solar Snake Tray, 3" x 4" orientation
CM 407-43-C-60	Cover for 3" x 4" Solar Snake Tray, 4" x 3" orientation

The 60-inch long covers give cabling an added layer of protection. Constructed of galvanized sheet steel. Air slots allow for ventilation.



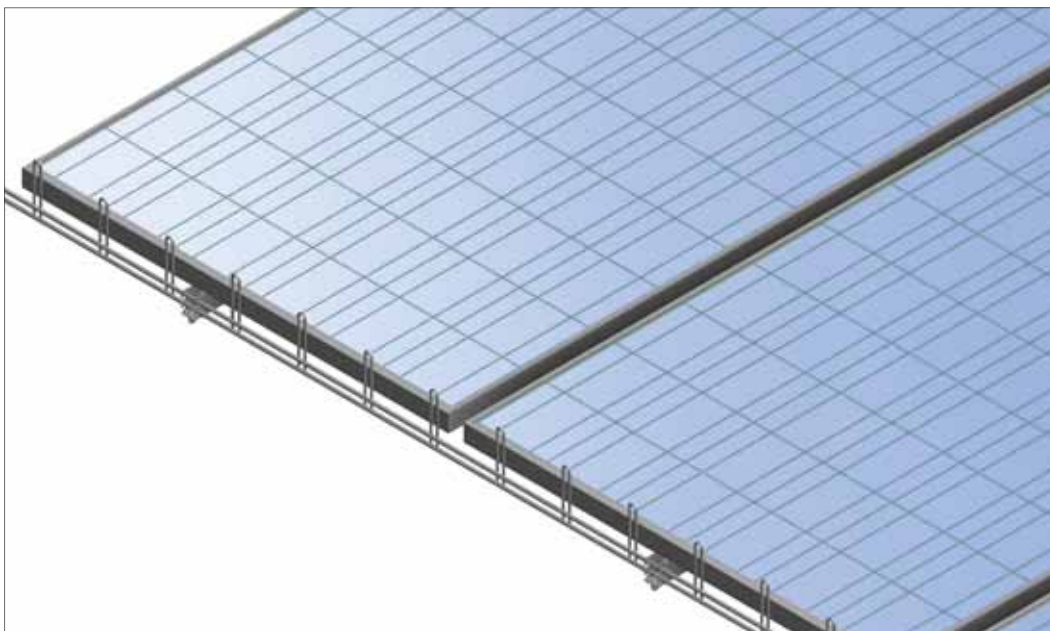
Snake Tray[®] Solar Panel Ice Guard

Snake Tray[®]

Snake Tray[®] Solar Panel Ice Guard

Part Number	Description
CM 407-IG-10-PC-GY	Solar Panel Ice Guard - 10 ft Section
CM 407-10-10953	Universal Mounting Bracket

Ice Guard for solar panels prevents injuries due to falling snow and ice. Snake Tray's Ice Guard easily mounts to the frame of any solar panel. It is a great safety solution for areas with pedestrian traffic including parking lots and train stations where injuries could occur.



Utility-Grade Solar Snake Tray®

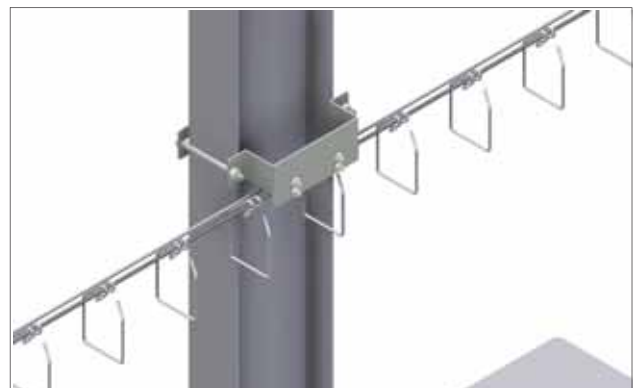
Solar Snake Tray for Fixed Tilt Arrays



Part Number	Description
CM 407-SK-0516-10-PC-GY-S12	4 ¾" x 1 3/8" tray for 15° tilt rack
CM 407-SK-0515-10-PC-GY-S12	Double 4 ¾" x 1 3/8" tray for 15° tilt rack
CM 407-SK-0515-16-TO	Cable Turnout

- Next generation of Solar Snake Tray developed specifically for large-scale ground-mounted plants
- Like original Solar Snake, it is bendable, has integrated easy mounting points, and nests for reduced material handling
- Mounts to the Z or C purlin of any racking system
- Different versions manage string cables, feeder cables, or both
- In use by major EPC around the US and globally
- For other sizes and rack configurations, please contact Snake Tray Engineering at 1-800-308-6788

Solar Messenger Wire Snake Tray



Part Number	Description
CM 407-25-3-MW-PC-GY-S6	2.5" x 3" Messenger-wire Solar Snake Tray
CM 407-55-MW-PC-GY-S6	5" x 5" Messenger-wire Solar Snake Tray

- Significantly reduced installation cost when compared to traditional methods such as trenching
- Suspended from a messenger wire fixed to the beams of any plant, does not require any additional support
- Suitable for the larger AC or DC feeder cables as well as the string cables on single axis tracker plants
- For other sizes and beam mounting hardware, please contact Snake Tray Engineering at 1-800-308-6788

#1 Choice In Cable Management

Solar Snap Snake Tray for Messenger Wire



Part Number	Description	Finishes
CM 407-XX-SN-10-MW	Solar Snap Tray	SS/PC-GY

This cable conveyance system suspends with messenger wire and offers a continuous support of cables.

- Attaches to messenger wire
- Multiple configurations available

Solar Snake Tray Air Separator



Part Number	Description
CM 407-SK-0617-XX	Solar Cable Support

This is the ideal solution when carrying high voltage power from utility grade solar arrays by providing code compliant cable separation to eliminate the need to de-rate cables.

- Suspends from messenger wire
- Multiple configurations available

Universal Inline Connector Bolt for Utility Solar Trays



Part Number
CB-12

Provides a mechanical and a bonded electrical connection when joining tray sections to one another. Only one CB-12 required per connection.

Solar Mega Snake®

Cable Management for DC and AC Feeder Cables

- Built-in mounting rail for attaching accessories including combiner boxes
- Nests together for economical shipping and easy material handling
- Available in Power Coated Gray and Stainless Steel for climate specific applications

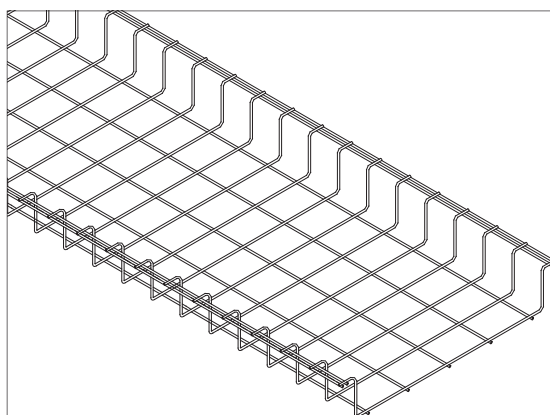


Straight Sections

Part Number	Depth/Width /Length	Cable Capacity (0.25 OD Cable)
CM 801-4-6-10	4" x 6" x 10'	250
CM 801-2-12-10	2" x 12" x 10'	220
CM 801-4-12-10	4" x 12" x 10'	440
CM 801-6-12-10	6" x 12" x 10'	670
CM 801-2-18-10	2" x 18" x 10'	375
CM 801-4-18-10	4" x 18" x 10'	750
CM 801-6-18-10	6" x 18" x 10'	1,100
CM 801-2-24-10	2" x 24" x 10'	490
CM 801-4-24-10	4" x 24" x 10'	980
CM 801-6-24-10	6" x 24" x 10'	1,470

FOR BEST RESULTS IT IS RECOMMENDED THAT MEGA SNAKE BE SUPPORTED EVERY (5) FIVE FEET

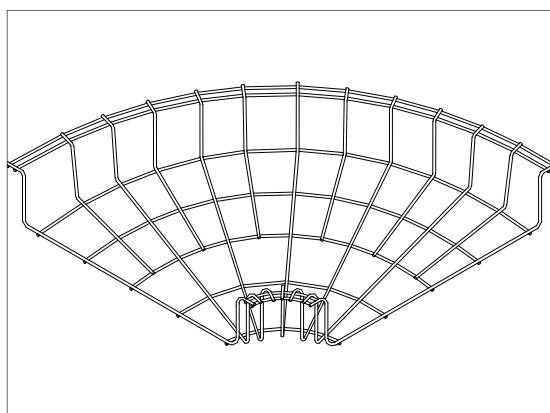
FINISHES: STAINLESS STEEL (SS), POWDER COATED GRAY (PC-GY)



90° Turns

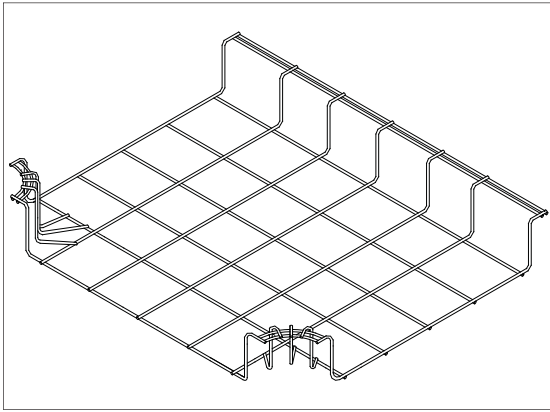
Part Number	Description
CM 801-4-6-90	4" D x 6" W 90° Turn
CM 801-2-12-90	2" D x 12" W 90° Turn
CM 801-4-12-90	4" D x 12" W 90° Turn
CM 801-6-12-90	6" D x 12" W 90° Turn
CM 801-2-18-90	2" D x 18" W 90° Turn
CM 801-4-18-90	4" D x 18" W 90° Turn
CM 801-6-18-90	6" D x 18" W 90° Turn
CM 801-2-24-90	2" D x 24" W 90° Turn
CM 801-4-24-90	4" D x 24" W 90° Turn
CM 801-6-24-90	6" D x 24" W 90° Turn

FINISHES: STAINLESS STEEL (SS), POWDER COATED GRAY (PC-GY)



801 Solar Mega Snake®

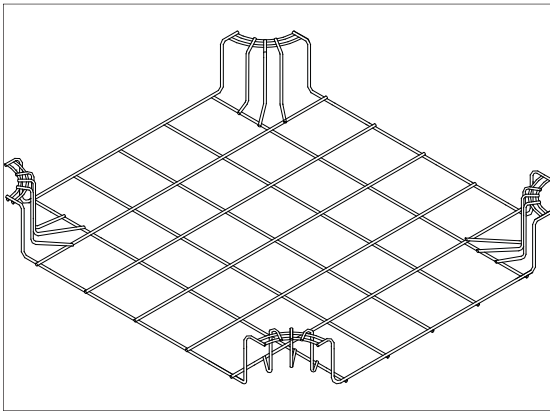
T-Section



Part Number	Description
CM 801-4-6-T	4" D x 6" W T-Section
CM 801-2-12-T	2" D x 12" W T-Section
CM 801-4-12-T	4" D x 12" W T-Section
CM 801-6-12-T	6" D x 12" W T-Section
CM 801-2-18-T	2" D x 18" W T-Section
CM 801-4-18-T	4" D x 18" W T-Section
CM 801-6-18-T	6" D x 18" W T-Section
CM 801-2-24-T	2" D x 24" W T-Section
CM 801-4-24-T	4" D x 24" W T-Section
CM 801-6-24-T	6" D x 24" W T-Section

FINISHES: STAINLESS STEEL (SS), POWDER COATED GRAY (PC-GY)

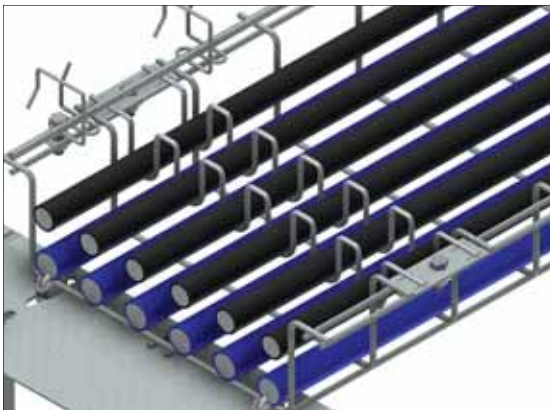
Crossing Grid



Part Number	Description
CM 801-4-6-CG	4" D x 6" W 4-Way Crossing Grid
CM 801-2-12-CG	2" D x 12" W 4-Way Crossing Grid
CM 801-4-12-CG	4" D x 12" W 4-Way Crossing Grid
CM 801-6-12-CG	6" D x 12" W 4-Way Crossing Grid
CM 801-2-18-CG	2" D x 18" W 4-Way Crossing Grid
CM 801-4-18-CG	4" D x 18" W 4-Way Crossing Grid
CM 801-6-18-CG	6" D x 18" W 4-Way Crossing Grid
CM 801-2-24-CG	2" D x 24" W 4-Way Crossing Grid
CM 801-4-24-CG	4" D x 24" W 4-Way Crossing Grid
CM 801-6-24-CG	6" D x 24" W 4-Way Crossing Grid

FINISHES: STAINLESS STEEL (SS), POWDER COATED GRAY (PC-GY)

Mega Snake Air Separator

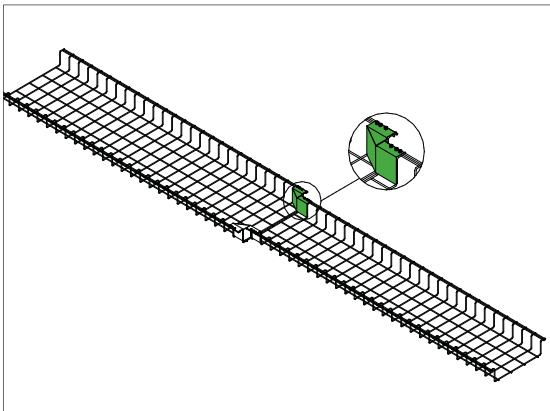
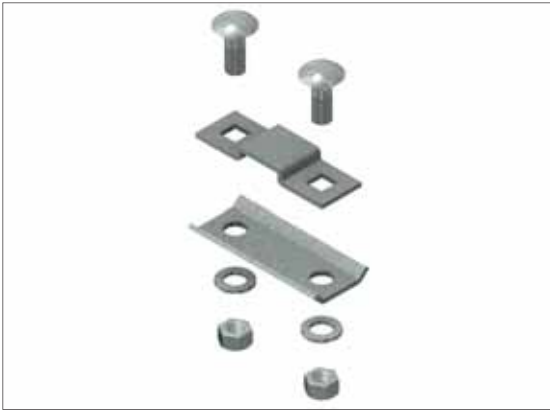


Part Number	Description	Finish
CM 801-AS-12-001	Air Separator for 12" wide Mega Snake Top	G/SS/PC-GY
CM 801-AS-12-002	Air Separator for 12" wide Mega Snake Bottom	G/SS/PC-GY
CM 801-AS-18-001	Air Separator for 18" wide Mega Snake Top	G/SS/PC-GY
CM 801-AS-18-002	Air Separator for 18" wide Mega Snake Bottom	G/SS/PC-GY

FINISHES: MECHANICALLY APPLIED GALVANIZED FINISH (G), STAINLESS STEEL (SS), POWDER COATED GRAY (PC-GY)

This auxiliary component attaches directly to the Mega Snake's mounting rail to provide code compliant separation between high ampacity conductors. Can be configured to the customer's specific cable schedule.

801 Solar Mega Snake®



Splice Kit

Part Number	Description	Finish
CM 801-SP	Mega Snake Splice Kit (2 splice plates per kit)	G/SS

FINISHES: GALVANIZED (G) STAINLESS STEEL (SS)

Splice kit maintains a continuous electrical bond throughout the Mega Snake system.

Size Adapters

Part Number	Description
CM 801-2-R6	2" x 12" to 2" x 18" or 2" x 12" to 2" x 24"
CM 801-2-R12	2" x 12" to 2" x 24"
CM 801-4-R6	4" x 12" to 4" x 18" or 4" x 18" to 4" x 24"
CM 801-4-R12	4" x 12" to 4" x 24"
CM 801-6-R6	6" x 12" to 6" x 18" or 6" x 18" to 6" x 24"
CM 801-6-R12	6" x 12" to 6" x 24"
CM 801-2/4-R6	2" x 12" to 4" x 18" or 2" x 18" to 4" x 24"
CM 801-2/4-R12	2" x 12" to 4" x 24"
CM 801-4/6-R6	4" x 12" to 6" x 18" or 4" x 18" to 6" x 24"
CM 801-4/6-R12	4" x 12" to 6" x 24"
CM 801-2/6-R6	2" x 12" to 6" x 18" or 2" x 18" to 6" x 24"
CM 801-2/6-R12	2" x 12" to 6" x 24"

FINISHES: STAINLESS STEEL (SS), POWDER COATED GRAY (PC-GY)

Transition from one size Mega Snake to another.

Installations





REQUIRES LESS LABOR ■ MADE IN THE USA ■ LOWER FREIGHT COSTS ■ NESTS TOGETHER FOR LOW COST SHIPPING ■ UNIVERSAL MOUNTING ■ SUSPENDS WITH MESSENGER WIRE

■ NO SHARP EDGES ■ LOWER CONSTRUCTION COSTS BY 30% ■ REQUIRES LESS LABOR ■

THE SNAKE TRAY ADVANTAGE

Snake Tray has revolutionized cable management, power distribution and enclosures with a variety of innovative products designed to install quickly, reduce labor and material costs, and significantly drive down the total cost of construction. All of our products are made in the USA and stocked throughout the USA to ship on time for our customers. Our engineers and sales team stand ready to assist you with take offs, bill of materials and product solutions. Call us at 800-308-6788 to discuss your next project.

■ SUSPENDS WITH MESSENGER WIRE ■ NO SHARP EDGES ■ LOWER CONSTRUCTION COSTS BY 30% ■ MADE IN THE USA ■ LOWER FREIGHT COSTS ■ NESTS TOGETHER FOR LOW COST SHIPPING

■ UNIVERSAL MOUNTING ■ SUSPENDS WITH MESSENGER WIRE ■ NO SHARP EDGES ■ LOWER CONSTRUCTION COSTS BY 30% ■



Snake Tray®
291 Skip Lane | Bay Shore NY 11706 | USA
T: 800-308-6788 | 631-674-0004
F: 800-881-6641 | 631-674-0010
www.snaketray.com | MADE IN USA

■ REQUIRES LESS LABOR ■ UNIVERSAL MOUNTING ■ SUSPENDS WITH MESSENGER WIRE ■ NO SHARP EDGES ■ LOWER CONSTRUCTION COSTS BY 30% ■ NESTS TOGETHER FOR LOW COST SHIPPING

Snake Tray® products are covered by one or more of the following patents:
#6637704, #6637165, #6463704, #6460812, #6449912, #6361000, #6347493, #6019323,
#6347493, #6449912, #6460812, #5953870, #5839702, #6926236, #7168212, #7959019,
#8783628, #8985530, #8622679, #9074707. Other Patents Pending.



TOGETHER FOR LOW COST SHIPPING ■ UNIVERSAL MOUNTING ■ SUSPENDS WITH MESSENGER WIRE