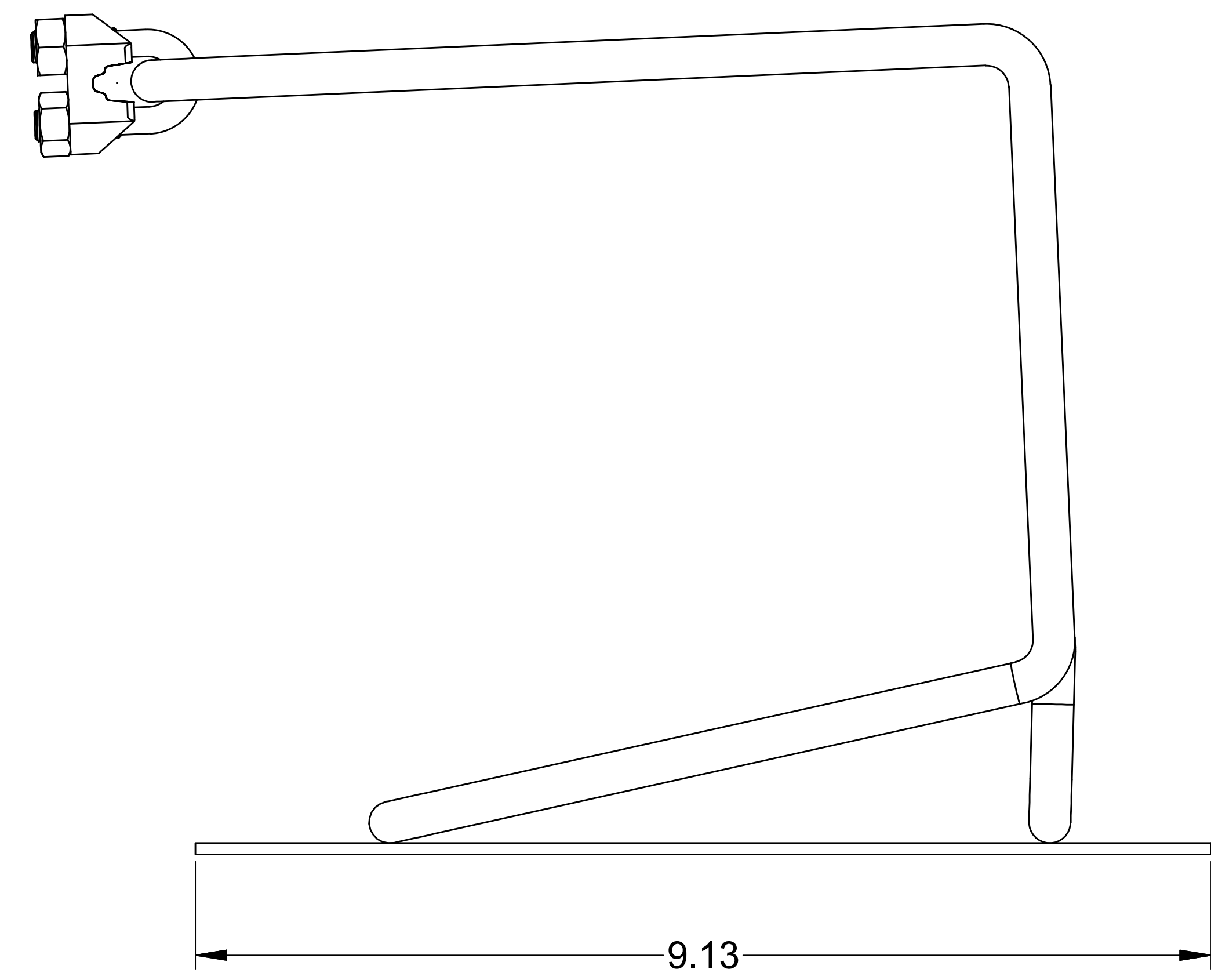
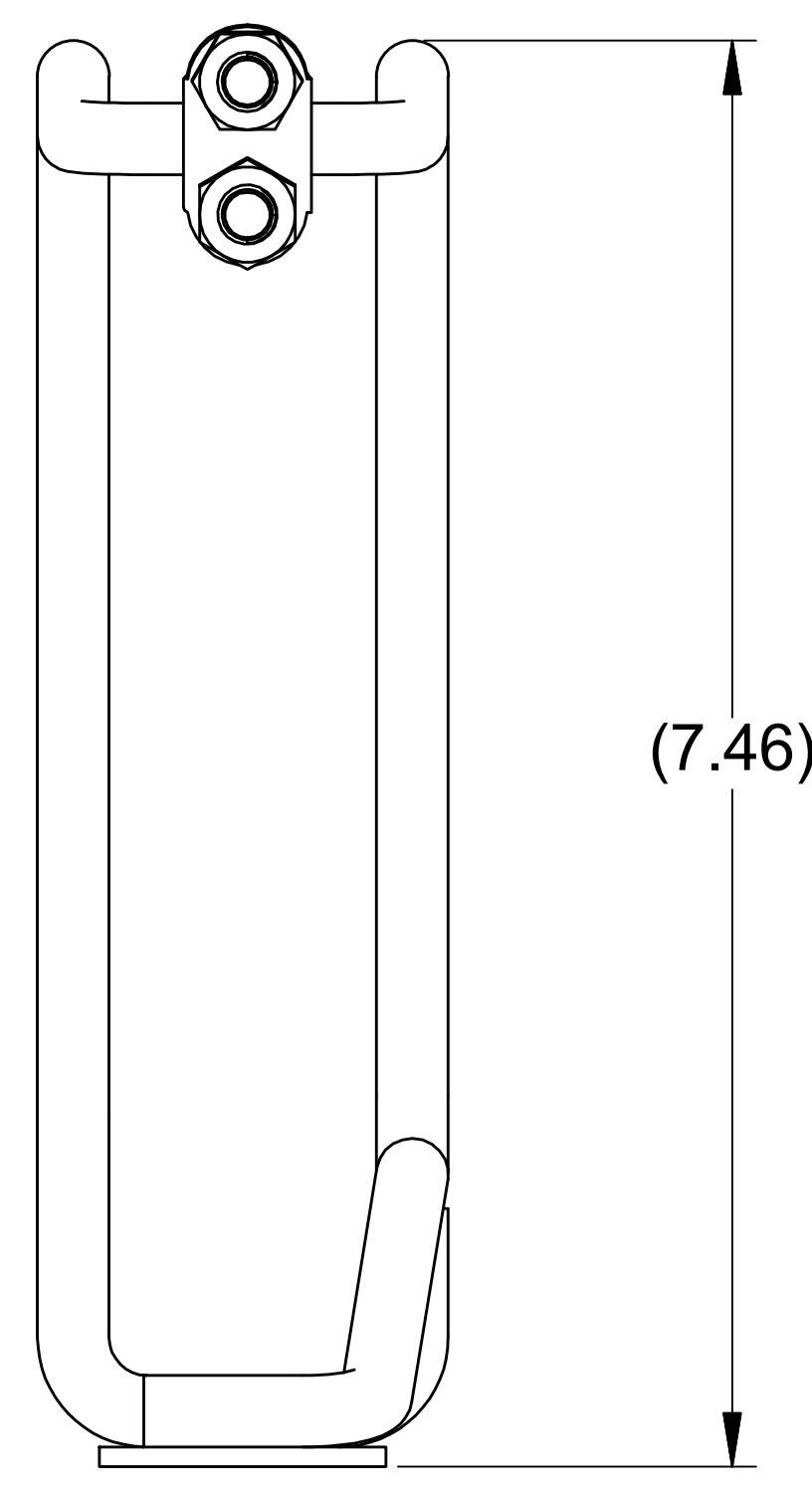
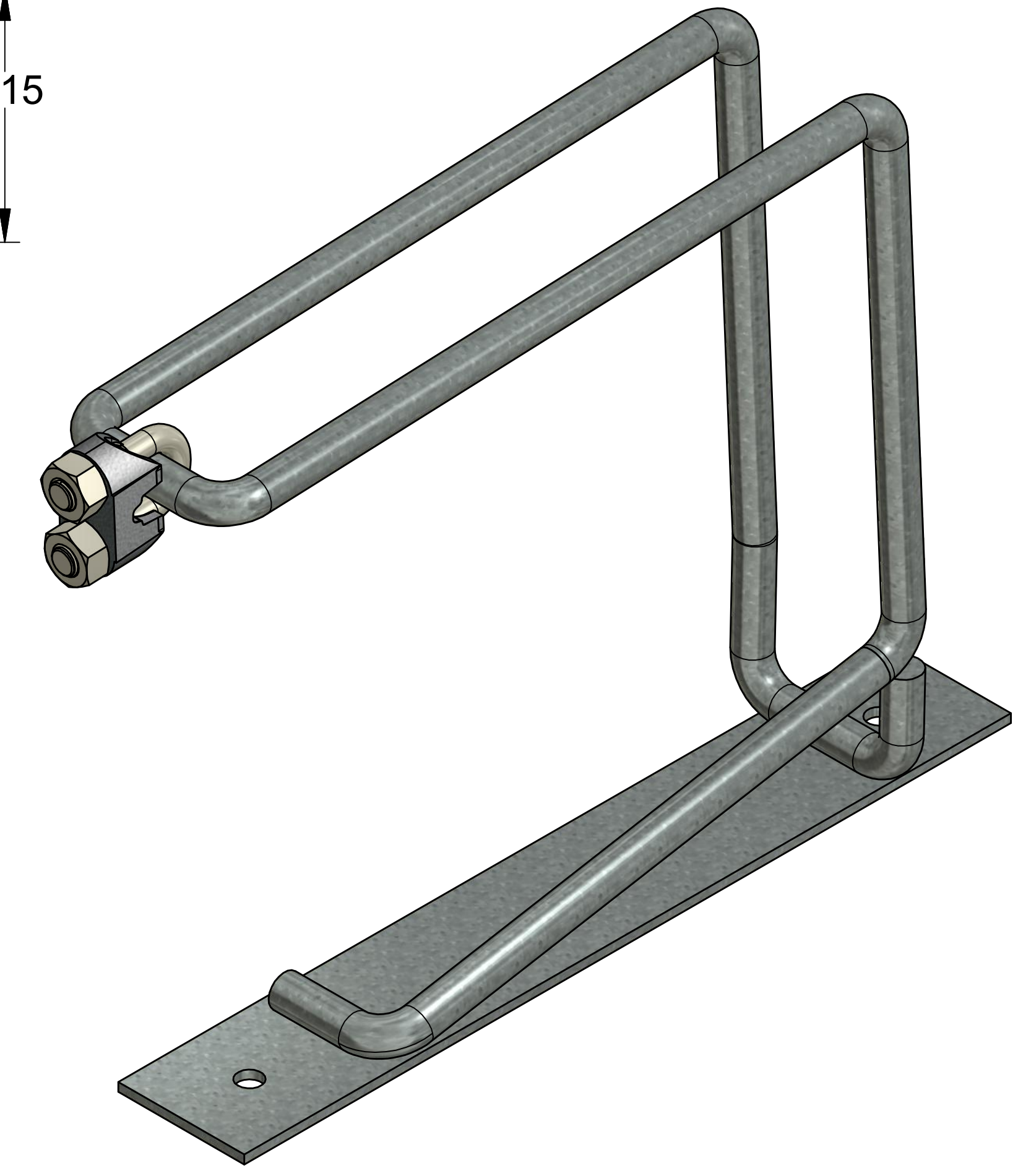
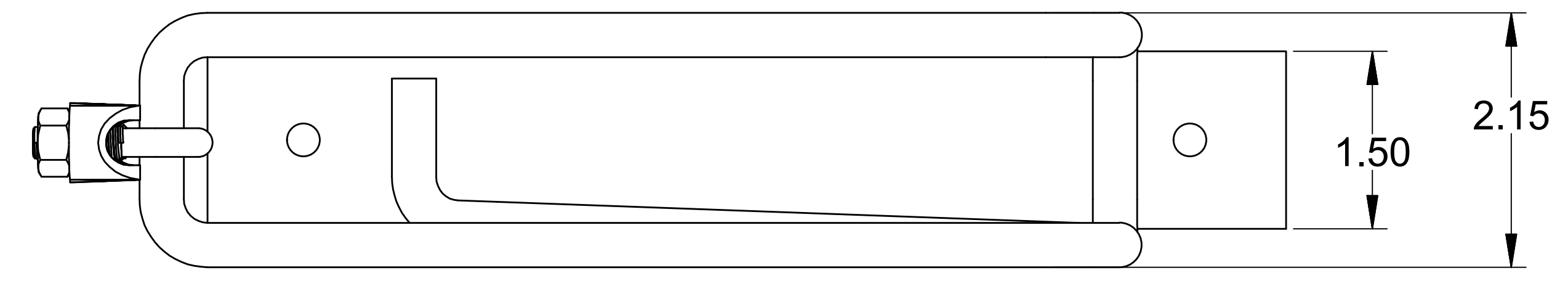


DWG NO. WBN-201-5D

ZONE		REV	DESCRIPTION	ECN	DATE	APPROVED	ENGINEER
		A	INITIAL RELEASE	10-0000	8/04/2010	RJ	WW



CONFIDENTIAL
 THIS DRAWING IS THE SOLE PROPERTY OF, AND IS PROPRIETARY TO, CABLE MANAGEMENT SOLUTIONS, INC. THIS DRAWING AND/OR INFORMATION SHALL BE KEPT CONFIDENTIAL, AND MAY NOT BE REPRODUCED, MODIFIED, DISCLOSED, OR MADE AVAILABLE TO OTHERS, WITHOUT THE EXPRESS WRITTEN CONSENT OF SNAKETRAY.
PATENTS
 SNAKETRAY, SNAKE CANYON, WALL SNAKE AND LADDER SNAKE PRODUCTS ARE COVERED BY ONE OR MORE OF THE FOLLOWING PATENTS: #6,637,704, #6,637,165, #6,463,704, #6,460,812, #6,449,912, #6,361,000, #6,347,493, #6,019,323, #5,953,870, #5,839,702 AND AUS #737.813.

MATERIAL	GALVANIZED STEEL		ALL TOLERANCES IF NOT INDICATED ARE: FRACTIONS = ± 1/32TH .XX = ± .015 .XXX = ± .005 ANGULAR = ± 1/2 DEGREE
FINISH	-	DRAWN BY	DATE
TREATMENT	-	W. WEST	8/04/10
		CHECKED BY	DATE
		B. RENZ	8/04/10
		ENGINEERING	DATE
		R. JETTE	8/04/10

CABLE MANAGEMENT SOLUTIONS, INC. 291 SKIP LANE BAYSHORE, N.Y. 11706		WALL MOUNT BRACKET ASSY WITH CM 201-5D TRAY	
SIZE	USED ON	DWG NO.	
	201 SERIES	WBN-201-5D	
SCALE	RELEASE DATE	SHEET	REV
NONE	8/04/10	1 OF 1	A