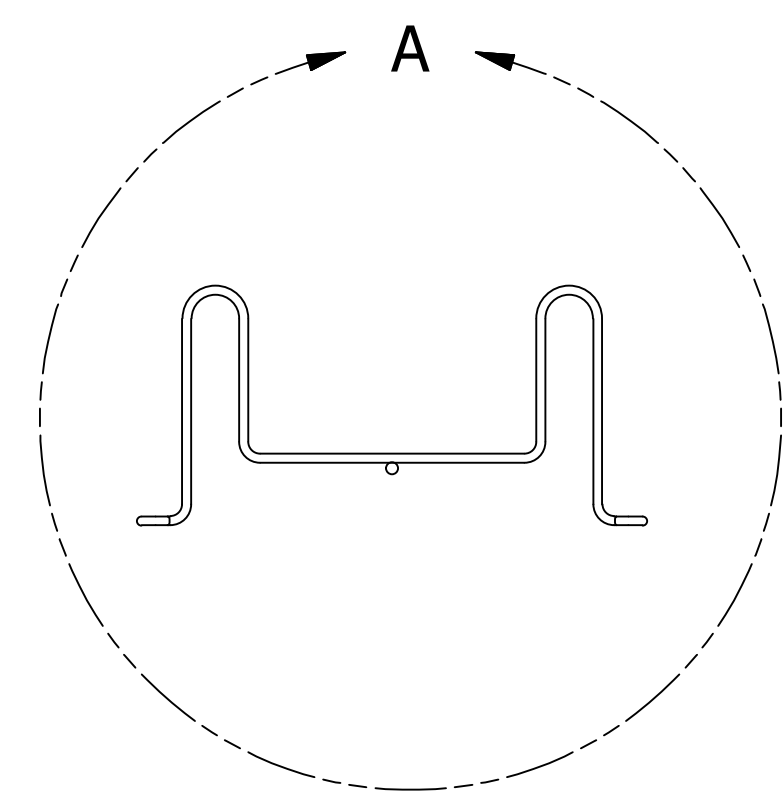
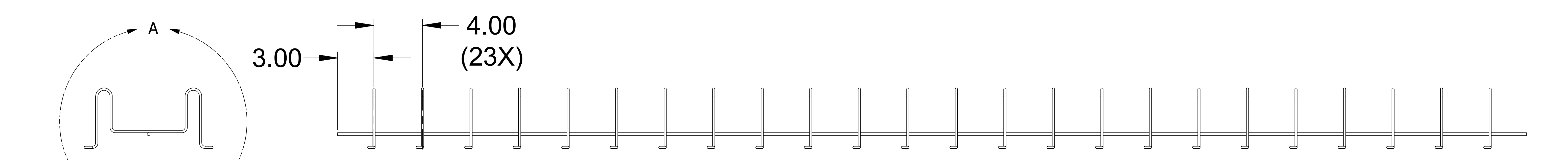
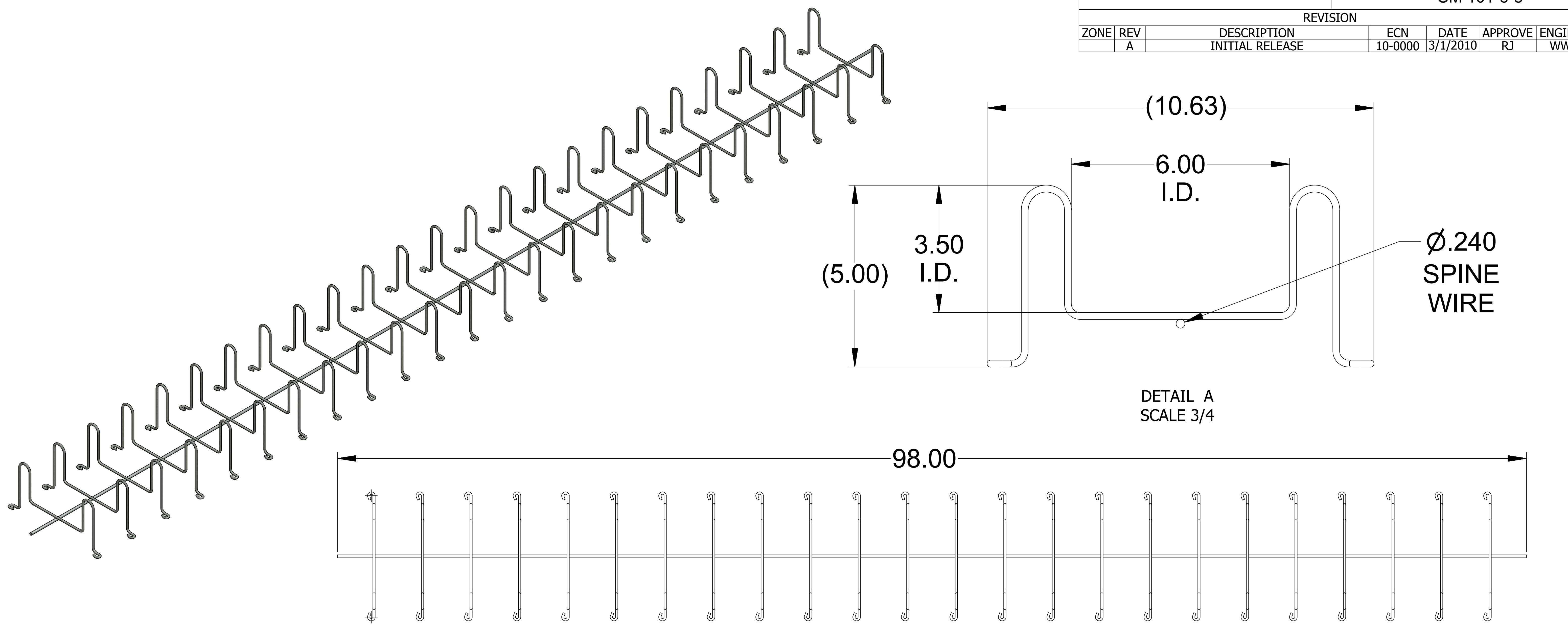


DWG NO:		CM 101-6-8				
REVISION						
ZONE	REV	DESCRIPTION	ECN	DATE	APPROVE	ENGINE
	A	INITIAL RELEASE	10-0000	3/1/2010	RJ	WW



<p>CONFIDENTIAL</p> <p>THIS DRAWING IS THE SOLE PROPERTY OF, AND IS PROPRIETARY TO, CABLE MANAGEMENT SOLUTIONS, INC. THIS DRAWING AND/OR INFORMATION SHALL BE KEPT CONFIDENTIAL, AND MAY NOT BE REPRODUCED, MODIFIED, DISCLOSED, OR MADE AVAILABLE TO OTHERS, WITHOUT THE EXPRESS WRITTEN CONSENT OF SNAKETRAY.</p>	MATERIAL	ALL TOLERANCES IF NOT INDICATED ARE: FRACTIONS= ± 1/32TH .XX= ± .015 .XXX= ± .005 ANGLULAR= ± 1/2 DEGREE		<p>CABLE MANAGEMENT SOLUTIONS, INC. 291 SKIP LANE BAY SHORE, NY 11706</p>
	GALVANIZED	FINISH	DRAWN BY: W. WEST DATE: 3/1/2010 CHECKED BY: E. RENZ DATE: 10/13/2011 ENGINEERING: R. JETTE DATE: 10/13/2011	
<p>PATENTS</p> <p>SNAKETRAY, SNAKE CANYON, WALL SNAKE AND LADDER SNAKE PRODUCTS ARE COVERED BY ONE OR MORE OF THE FOLLOWING PATENTS: #6,637,704, #6,637,165, #6,463,704, #6,460,812, #6,449,912, #6,361,000, #6,347,493, #6,019,323, #5,953,870, M.R.#5,838,776 AND U.S. PAT.# 737,813.</p>	TREATMENT	NONE		