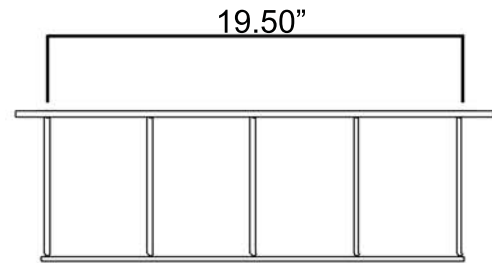
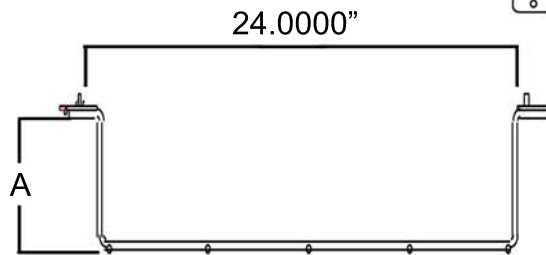
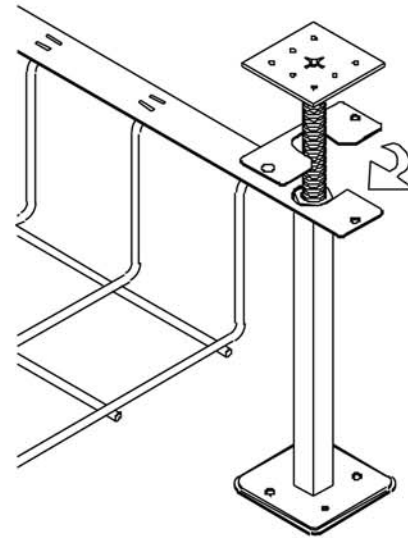
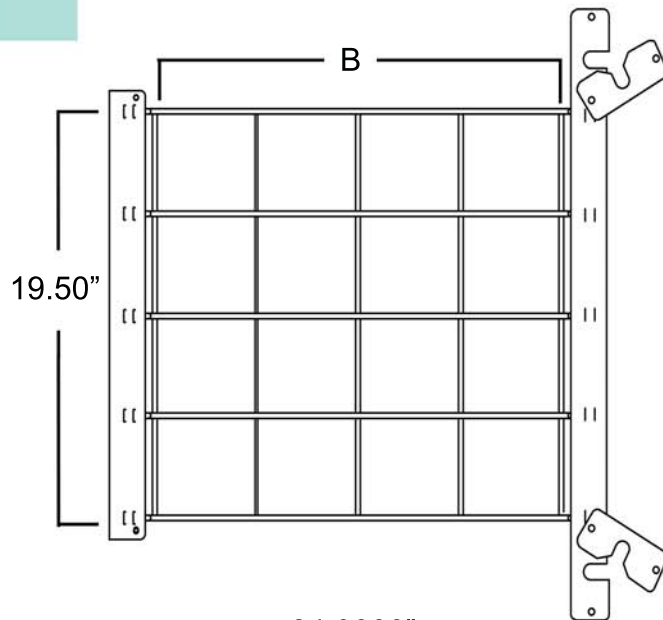




301 Series - Latch-Loc Snake Canyon®



Part. No.	Loading Dimensions		Cable Capacity		Weight	Finish
	Depth (A)	Width (B)	Physical	Volume		
CM 301-2-X	2"	22"	44 si	470	4½ #	PG/PC
CM 301-4-X	3"	22"	88 si	940	5½ #	PG/PC
CM 301-6-X	5"	22"	132 si	1400	6½ #	PG/PC
CM 301-8-X	6"	22"	176 si	1880	8 #	PG/PC
CM 301-12-X	12"	22"	264 si	2820	9½ #	PG/PC

50% fill as per NEC Article 392.9B
0.25" OD

Available finishes: Pregalvanized and powder coat
"X" Denotes Pedestal Diameter*

Latch-Loc Snake Canyon® quickly installs to a computer access floor by latching onto the floor pedestal above the adjuster nut. Its all-in-one piece design instantly gives you a high capacity cable path that can hold close to 3,000 data cables. Latch-Loc Snake Canyon® is available in full or half basket sections and can be utilized with other Snake Canyon® models to create bridges where floor tiles are not readily removable.

For drawings of specific models, additional sizes or accessories please call us at 800.308.6788.

***Floor type must be identified prior to order**

www.snaketray.com

800.308.6788

Made in the USA