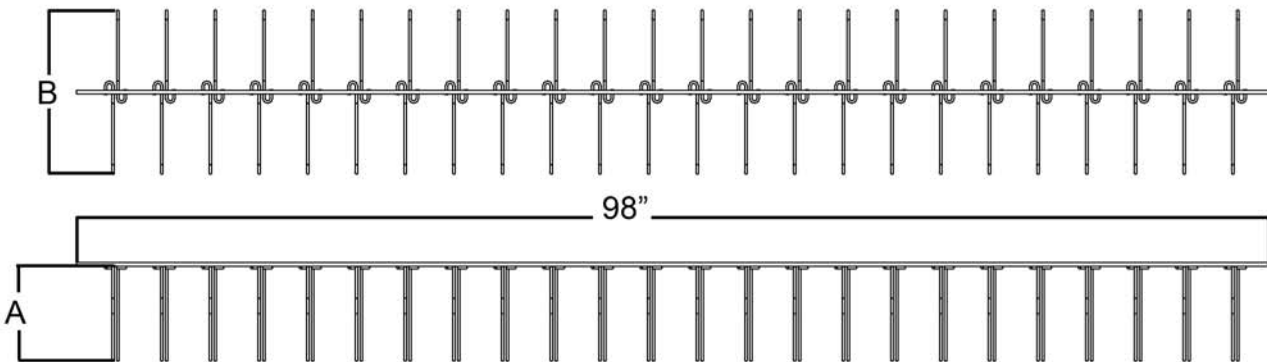
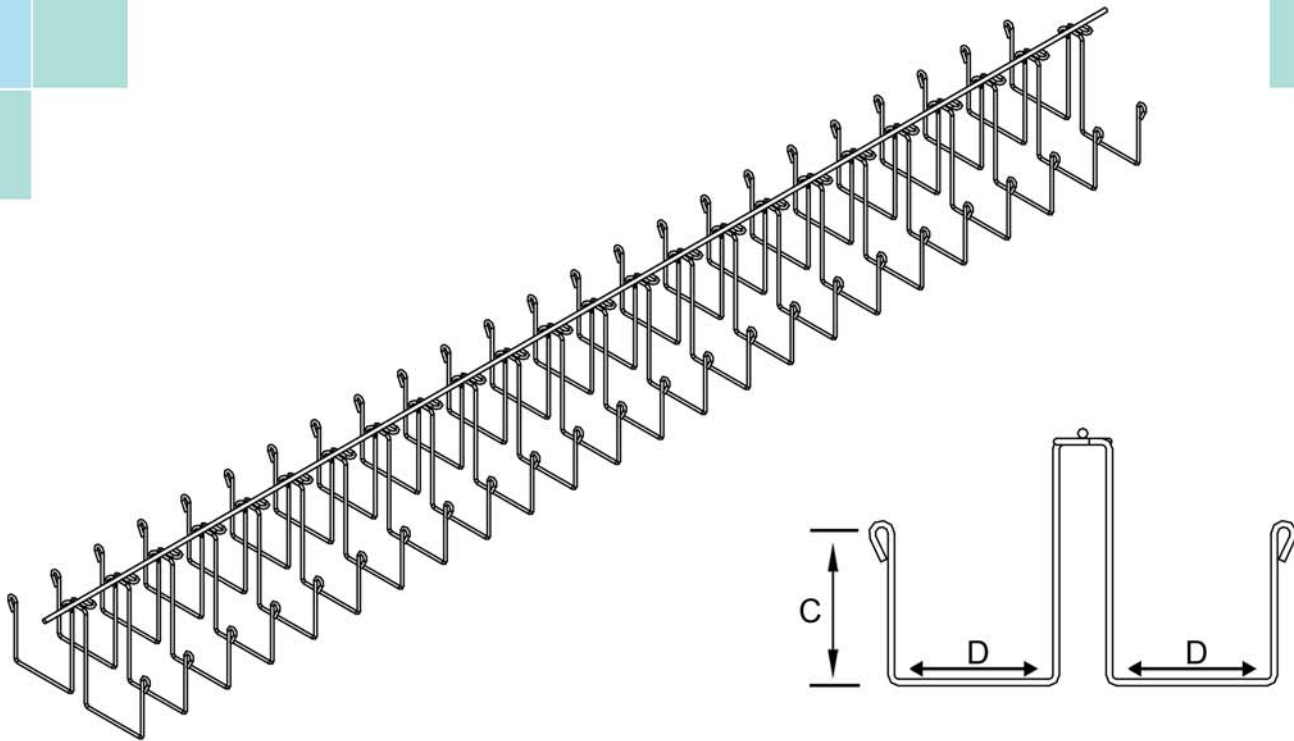




201 Series Double Pocket Snake Tray®



| Part. No. | Physical Dimensions | | Loading Dimensions | | Cable Capacity | | Weight | Finish |
|---------------|---------------------------------|----------------------------------|---------------------------------|---------------------------------|-----------------|-----|---------------------------------|-------------|
| | Height (A) | Width (B) | Depth (C) | Width (D) | Physical Volume | | | |
| CM 201-425D-8 | 7 ¹ / ₄ " | 11 ¹ / ₂ " | 4 ¹ / ₄ " | 4 ¹ / ₄ " | 36 si | 370 | 8 ¹ / ₂ # | PG/SS/PC/HD |
| CM 201-5D-8 | 8 ³ / ₄ " | 13 ³ / ₄ " | 5" | 5" | 50 si | 510 | 11 # | PG/SS/PC/HD |

50% fill as per NEC Article 392.9B
0.25" OD

Available finishes: Pregalvanized, stainless steel, powder coat, hot dipped galvanized

The 201 Series Double Snake Tray® with its double pocket design provides a natural separation for both voice/data cables and fiber. Accommodating up to 50 square inches of cable path, Double Snake can manage over 500 voice/data cables both below raised floors and overhead either mounted to walls or suspended from the ceiling. Snake Eyes (mounting rings) are located along the center spine allowing for easy attachment of threaded rod for suspended applications.

For drawings of specific models, additional sizes or accessories please call us at 800.308.6788.

www.snaketray.com

800.308.6788

Made in the USA