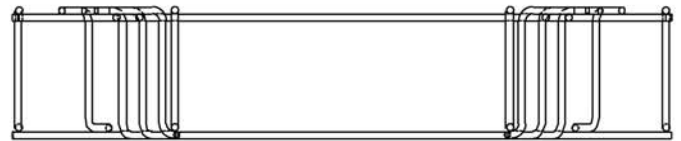
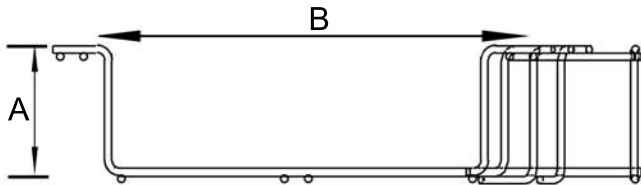
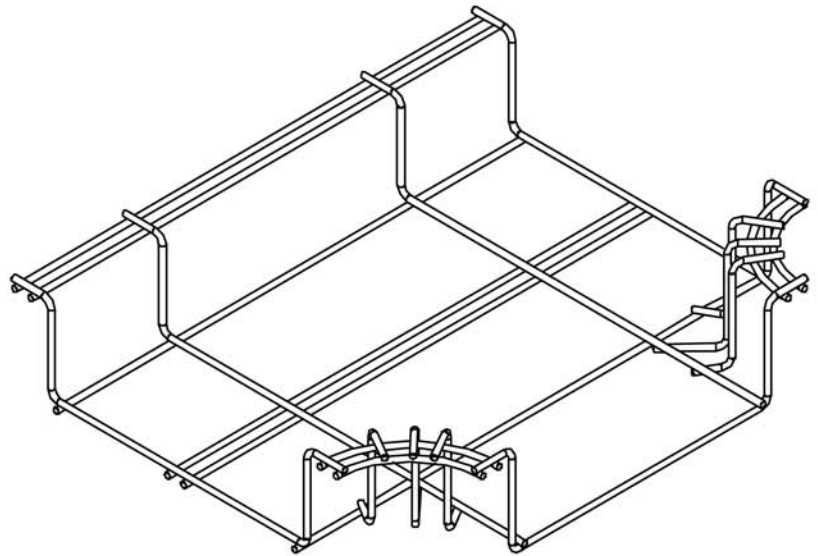
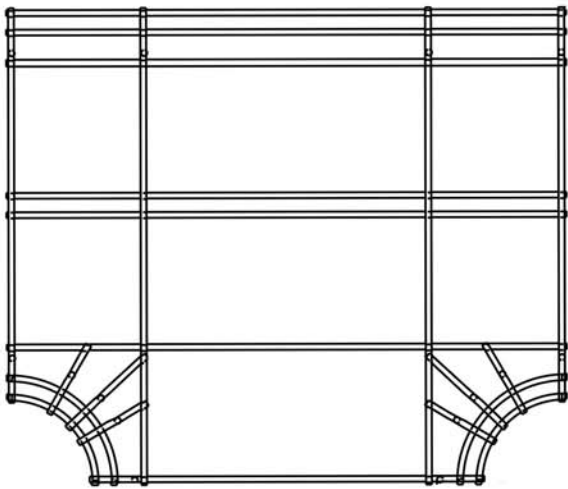
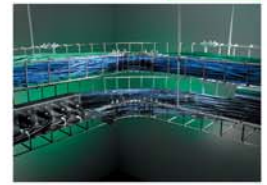




801 Series 12" T-Intersection Mega Snake Tray®



Part. No.	Physical Dimensions		Loading Dimensions		Cable Capacity		Finish
	Height (A)	Width (B)	Depth	Width	Physical Volume		
CM 801-2-12-T	2.5"	18"	2"	12"	24 si	240	PG/SS/PC/HD
CM 801-4-12-T	4.5"	18"	4"	12"	48 si	480	PG/SS/PC/HD
CM 801-6-12-T	6.5"	18"	6"	12"	72 si	730	PG/SS/PC/HD

50% fill as per NEC Article 392.9B
0.25" OD

Available finishes: Pregalvanized, stainless steel,
powder coat, hot dipped galvanized

The 801 Series Mega Snake® is pre-manufactured in straights, turns, tees and crossing sections so no material waste is created. This system has an accessory rail for that allows the tray to interface with other Snake Tray models, patch panels, strain relief and fiber optic pass over devices. The 12" wide Mega Snake tray comes with the center support built into the tray.

For drawings of specific models, additional sizes or accessories please call us at 800.308.6788.

www.snaketray.com

800.308.6788

Made in the USA