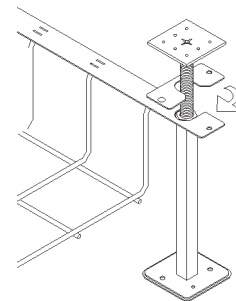
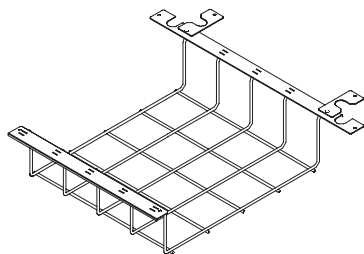
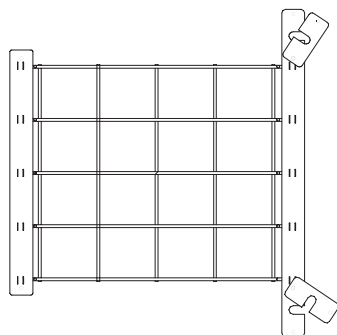
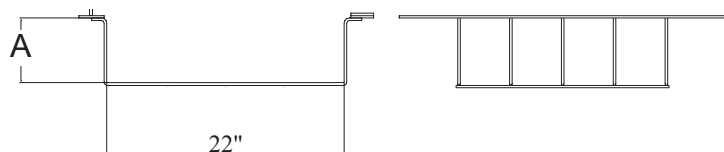
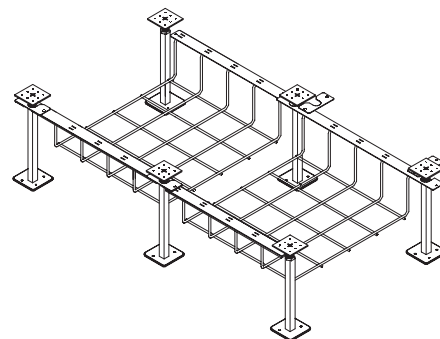


# CM 301 Series - Latch-Loc™ SNAKE CANYON®



Detail of Attachment



Part Number	Loading Dimensions		Cable Capacity		Wt	Finish
	Depth (A)	Width (B)	Physical Volume			
<i>For use with 3/4" Floor Pedestals</i>						
CM 301-2-A45	2"	22"	44si	470	4.5#	PG/PC
CM 301-4-A45	4"	22"	88si	940	5.5#	PG/PC
CM 301-6-A45	6"	22"	132si	1400	6.5#	PG/PC
CM 301-8-A45	8"	22"	176si	1880	8.0#	PG/PC
CM 301-12-A45	12"	22"	264si	2820	9.5#	PG/PC
<i>For use with 1" Floor Pedestals</i>						
CM 301-2-A46	2"	22"	44si	470	4.5#	PG/PC
CM 301-4-A46	4"	22"	88si	940	5.5#	PG/PC
CM 301-6-A46	6"	22"	132si	1400	6.5#	PG/PC
CM 301-8-A46	8"	22"	176si	1880	8.0#	PG/PC
CM 301-12-A46	12"	22"	264si	2820	9.5#	PG/PC

50% FILL AS PER NEC ARTICLE 392.9B .25 OD

Latch-Loc Snake Canyon® is another new innovation in the Snake Canyon® series of modular cable tray systems for computer access floors. Latch-Loc quickly installs to a computer access floor by latching onto the floor pedestal above the adjuster nut. Its all-in-one piece design instantly gives you a high capacity cable path that can hold close to 3000 data cables. Latch-Loc Snake Canyon® is available in five depths in full or half basket sections and can be utilized with other Snake Canyon® models to create bridges where floor tiles are not readily removable.

Snake Tray® and Snake Canyon® products are covered by one or more of the following patents: #6,637,704, #6,637,165, #6,463,704, #6,460,812, #6,449,912, #6,361,000, #6,347,493, #6,019,323, #5,953,870, #5,839,702 and AUS #737,813. Other US and Foreign Patents Pending.



800-308-6788 • info@snaketray.com • www.snaketray.com